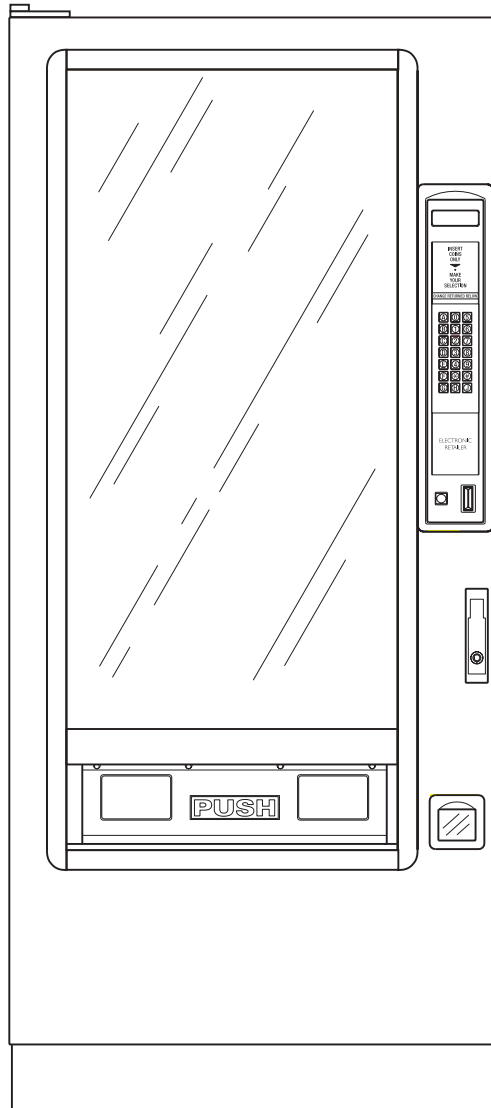


Snack Vendor

Model 170-171



PARTS MANUAL



12955 Enterprise Way
Bridgeton, MO 63044-1200
(314) 298-3510

Snackvendor Models 170 - 171 Parts Manual

LIST OF FIGURES

FIGURE 1.	170/171 MERCHANDISER	1
FIGURE 2.	OUTER DOOR ASSEMBLY	2
FIGURE 3.	DOOR LOCK AND HANDLE ASSEMBLY	4
FIGURE 4.	DOOR MISCELLANEOUS	6
FIGURE 5.	DOOR GLASS ASSEMBLY	8
FIGURE 6.	UPPER AND LOWER DOOR HINGE ASSEMBLIES	10
FIGURE 7.	DOOR CHECK	12
FIGURE 8.	FLUORESCENT LIGHT ASSEMBLY	14
FIGURE 9.	DELIVERY PAN ASSEMBLY	16
FIGURE 10.	GUM & MINT UNIT	20
FIGURE 11.	CABINET MISCELLANEOUS	26
FIGURE 12.	CANDY TRAY ASSEMBLY	32
FIGURE 13.	SNACK TRAY ASSEMBLY	34
FIGURE 15.	LEG, LEVELER AND LEG AND HINGE ASSEMBLIES	38
FIGURE 16.	MONETARY PANEL ASSEMBLY	40
FIGURE 17.	FACE PLATE ASSEMBLY	46
FIGURE 18.	POWER PANEL HOUSING	48
FIGURE 19.	POWER PANEL	50
FIGURE 20.	POWER CORD	52
FIGURE 21.	ACCESSORIES (BASE PLATE ASSEMBLY)	54
FIGURE 22.	ACCESSORIES (DOOR LOCK GUARD)	55
FIGURE 23.	ACCESSORIES (TRAY EXTENSION HARNESS)	56
FIGURE 24.	ACCESSORIES (DEX PRINTER INTERFACE HARNESS)	56
FIGURE 25.	WIRING HARNESSES	57

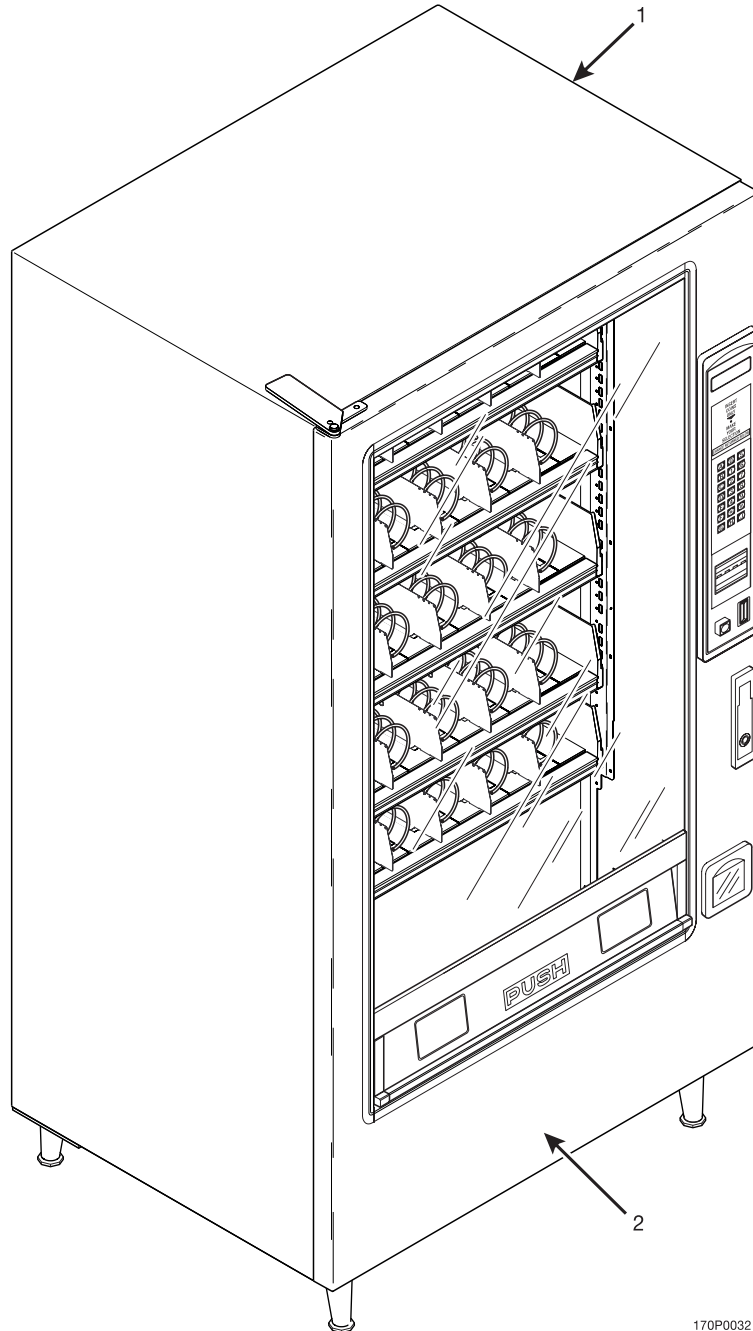
LIST OF TABLES

TABLE 1.	170/171 MERCHANDISER	1
TABLE 2.	OUTER DOOR ASSEMBLY	3
TABLE 3.	DOOR LOCK AND HANDLE ASSEMBLY	5
TABLE 4.	DOOR MISCELLANEOUS	7
TABLE 5.	DOOR GLASS ASSEMBLY	9
TABLE 6.	UPPER AND LOWER DOOR HINGE ASSEMBLIES	11
TABLE 7.	DOOR CHECK	13
TABLE 8.	FLUORESCENT LIGHT ASSEMBLY	15
TABLE 9.	DELIVERY PAN ASSEMBLY	17
TABLE 10.	GUM & MINT UNIT	21
TABLE 11.	CABINET MISCELLANEOUS	27
TABLE 12.	CANDY TRAY ASSEMBLY	33
TABLE 13.	SNACK TRAY ASSEMBLY	35
TABLE 14.	SPIRAL OPTIONS	36
TABLE 15.	LEG, LEVELER AND LEG AND HINGE ASSEMBLIES	39
TABLE 16.	MONETARY PANEL ASSEMBLY	41
TABLE 17.	FACE PLATE ASSEMBLY	47
TABLE 18.	POWER PANEL HOUSING	49
TABLE 19.	POWER PANEL	51
TABLE 20.	POWER CORD	53
TABLE 21.	ACCESSORIES (BASE PLATE ASSEMBLY)	54
TABLE 22.	ACCESSORIES (DOOR LOCK GUARD)	55

Snackvendor Models 170 - 171 Parts Manual

TABLE 1. 170/171 MERCHANDISER

INDEX	PART NUMBER	DESCRIPTION	QTY.
1	4521023	CABINET ASSEMBLY - N.V. BLACK (170)	1
	4531005	CABINET ASSEMBLY - N.V. BLACK (171)	
2	1702000	DOOR ASSEMBLY - COMMON (SEE FIGURE 2 FOR DETAILS)	1
	1602059	DOOR ASSEMBLY - COMMON - BLACK - MAXPAX (SEE FIGURE 2 FOR DETAILS)	



170P0032

Figure 1. 170/171 Merchandiser

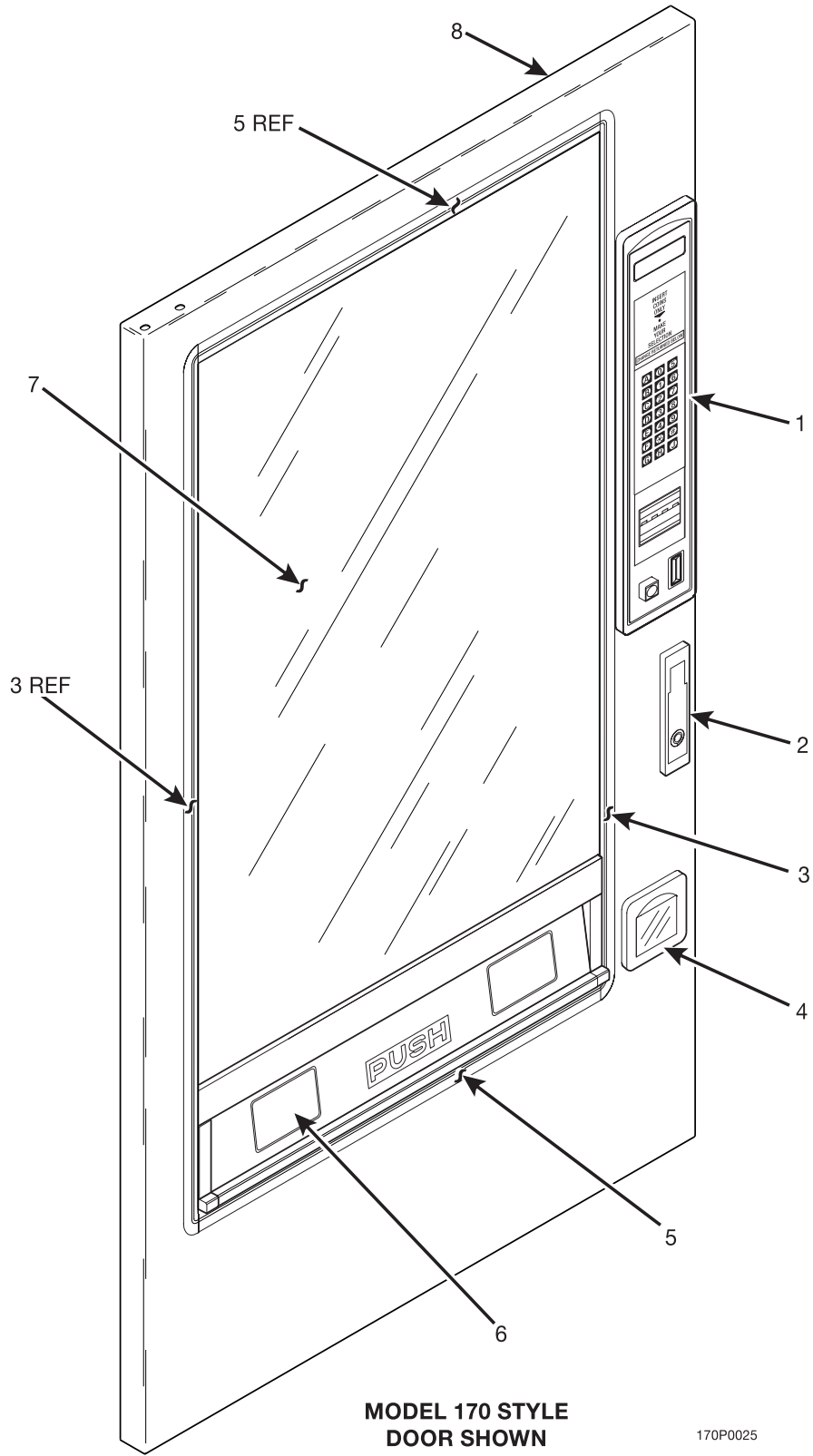


Figure 2. Outer Door Assembly

Snackvendor Models 170 - 171 Parts Manual

TABLE 2. OUTER DOOR ASSEMBLY

INDEX	PART NUMBER	DESCRIPTION	QTY.
1	1595016	FACEPLATE ASSEMBLY - GPL (SEE FIGURE 17 FOR DETAILS)	1
2	-	DOOR LOCK ASSEMBLY (SEE FIGURE 3 FOR DETAILS)	1
3	1702002	DECAL - TRIM - VERTICAL - 52.25"	2
4	-	CUP - COIN RETURN (SEE FIGURE 4 FOR DETAILS)	1
5	1702001	DECAL - TRIM - HORIZONTAL - TOP - 38" (170)	2
	1712001	DECAL - TRIM - HORIZONTAL - TOP - 32" (171)	
6	-	FLAP VEND DOOR - NO G & M (SEE FIGURE 9 FOR DETAILS) (170)	1
	-	FLAP VEND DOOR - WITH G & M (SEE FIGURE 10 FOR DETAILS) (170)	
	-	FLAP VEND DOOR - NO G & M (SEE FIGURE 9 FOR DETAILS) (171)	
	-	FLAP VEND DOOR - WITH G & M (SEE FIGURE 10 FOR DETAILS) (171)	
7	1592074	DOOR GLASS ASSEMBLY (SEE FIGURE 5 FOR DETAILS) (170)	1
	1602056	DOOR GLASS ASSEMBLY (SEE FIGURE 5 FOR DETAILS) (171)	
8	1702007	WELD ASSEMBLY - DOOR "R" SERIES (170)	1
	1602057	WELD ASSEMBLY - DOOR "R" SERIES (171)	

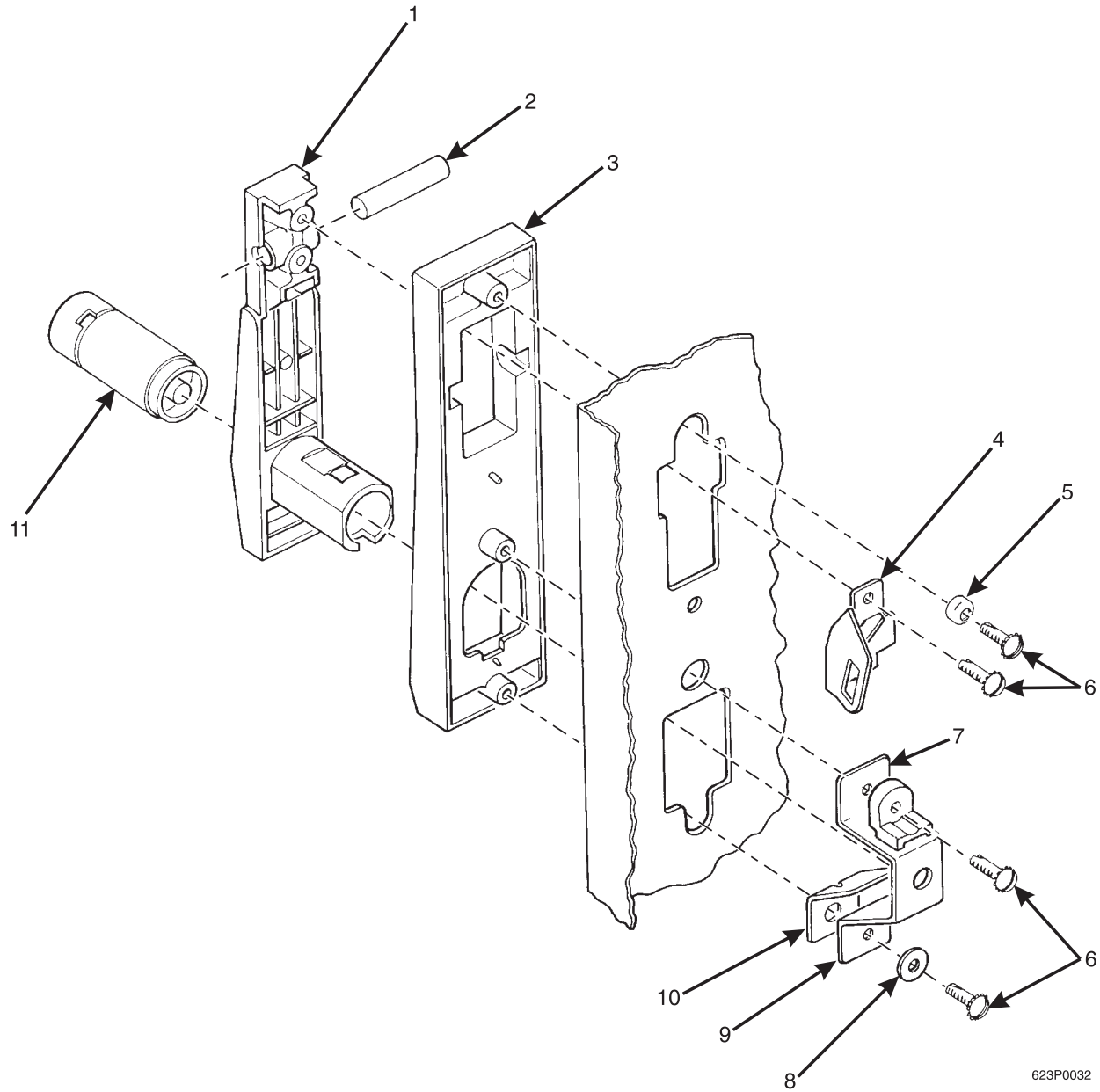
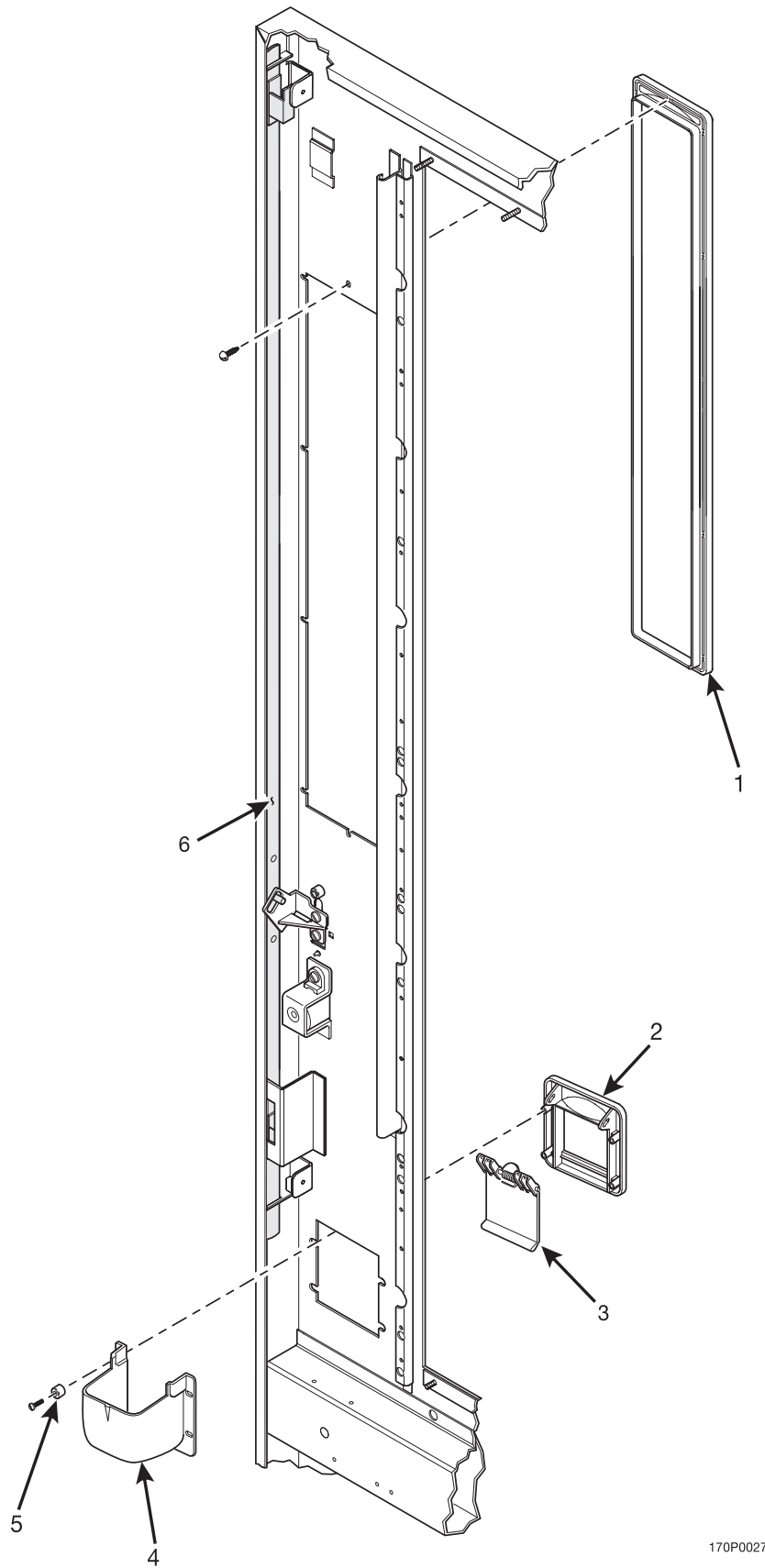


Figure 3. Door Lock and Handle Assembly

Snackvendor Models 170 - 171 Parts Manual

TABLE 3. DOOR LOCK AND HANDLE ASSEMBLY

INDEX	PART NUMBER	DESCRIPTION	QTY.
1	1172190	LEVER - LOCK	1
2	1302291	PIVOT - LEVER LOCK	1
3	1172191	BASE - LEVER LOCK	1
4	2272052	ACTUATOR ASSEMBLY - LOCK BAR	1
5	1302289	CUP SPACER	1
6	1217161	SCREW, #10-32 X 1/2 RHS W/LW	5
7	1302326	SHIELD - LATCH	1
8	9900121	WASHER - STEEL - 7/16 X .203 X .032	1
9	1302324	CATCH - DOOR LATCH	1
10	1302290	LATCH - LOCK LOWER	1
11	9992400	CYLINDER - LOCK	1
	3112163	VAN LOCK	OPT.
-	3112164	KEY (NOT SHOWN) VAN LOCK APPLICATION (NOT SHOWN)	1 OPT.



170P0027

Figure 4. Door Miscellaneous

Snackvendor Models 170 - 171 Parts Manual

TABLE 4. DOOR MISCELLANEOUS

INDEX	PART NUMBER	DESCRIPTION	QTY.
1	1575047	CASTING - MONETARY FRAME - BLACK RIDGE	1
2	1572011	TRIM - COIN CUP - BLACK	1
3	4245082	GATE - COIN RETURN	1
	4245083	SPRING - COIN RETURN DOOR	
	4245084	SHAFT - DOOR - COIN RETURN	
4	1572010	CUP - COIN RETURN	1
5	2302053	SPACER - CUP	1
6	1472178	LOCK BAR ASSEMBLY	1

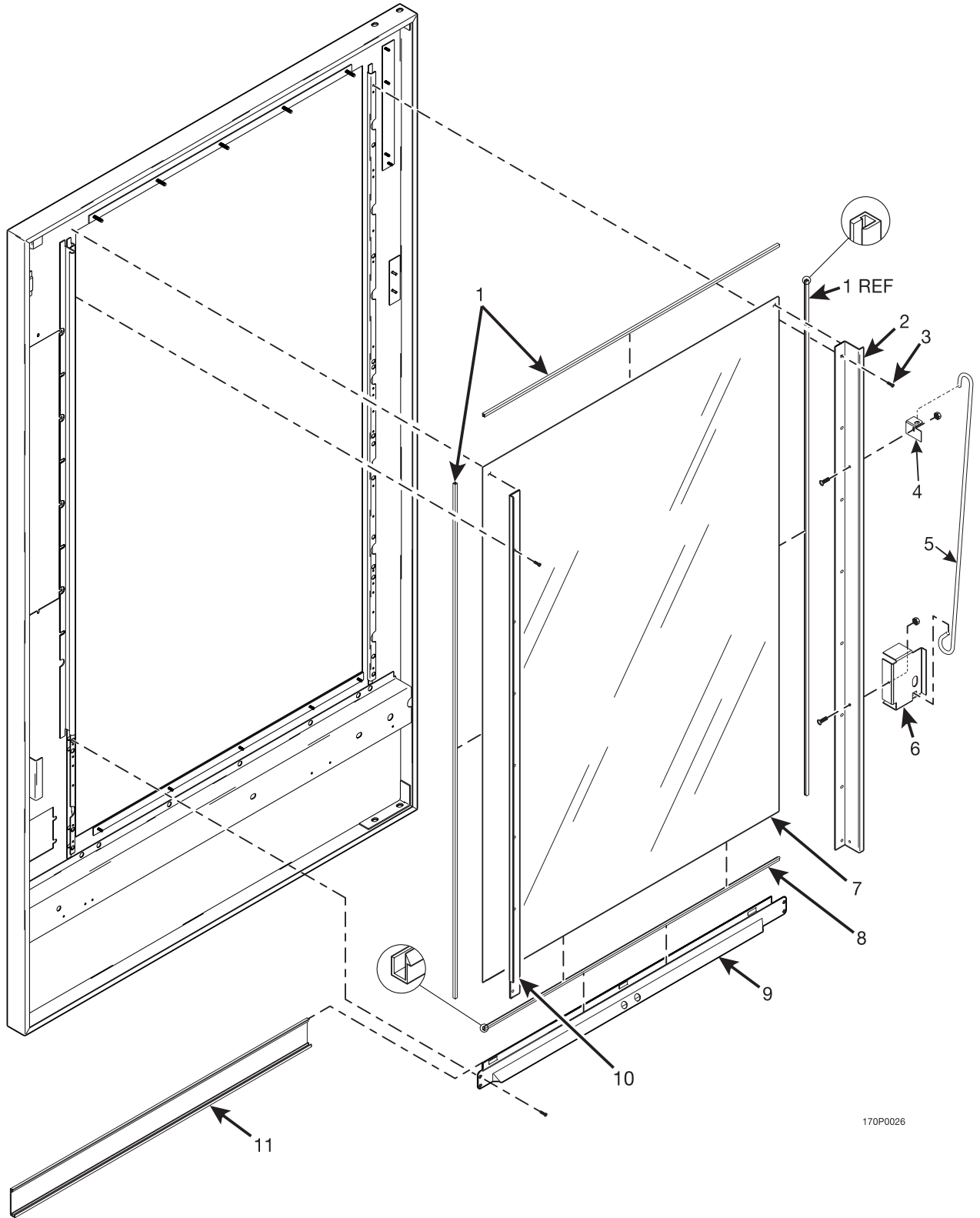
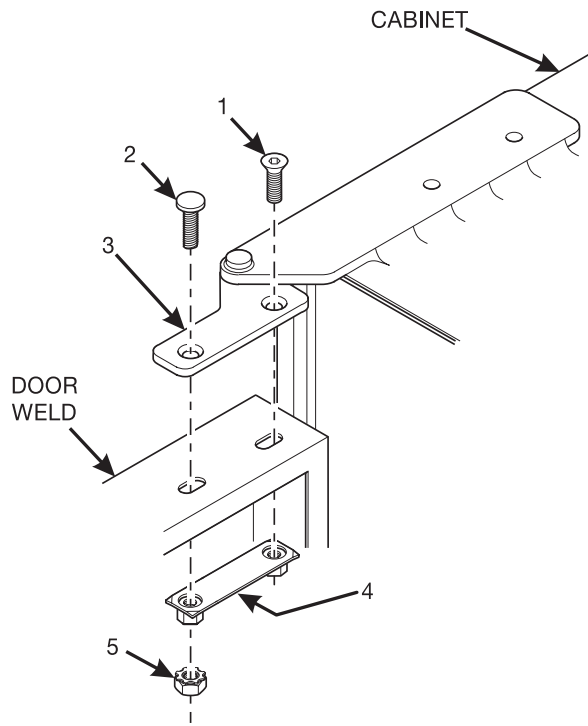


Figure 5. Door Glass Assembly

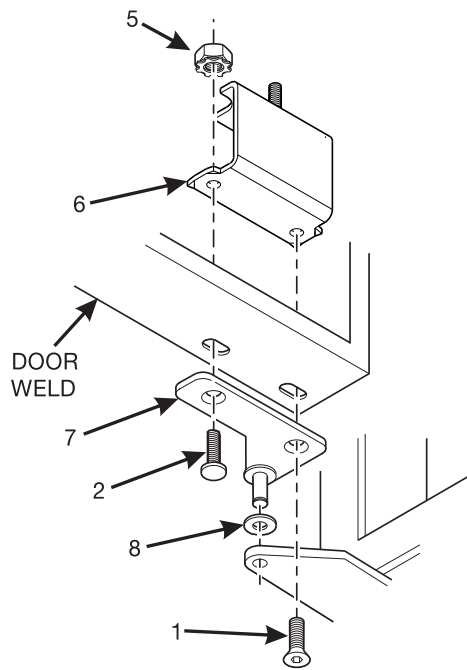
Snackvendor Models 170 - 171 Parts Manual

TABLE 5. DOOR GLASS ASSEMBLY

INDEX	PART NUMBER	DESCRIPTION	QTY.
1	2222124	CHANNEL - GLASS - HOR & VERT 112.281" (170)	-
		CHANNEL - GLASS - HOR & VERT 106.16" (171)	
2	1572020	RETAINER - GLASS - LG. SNACK	1
3	1451097	SCREW - #8-32 X .31 HEX HD. TF - BL	29
4	1572028	RETAINER - ROD SUPPORT - COMMON (WITH G&M UNIT)	1
5	1479140	ROD - SUPPORT - G&M (WITH G&M UNIT)	1
6	1572027	SUPPORT - PROP ROD - COMMON (WITH G&M UNIT)	1
7	1702011	DISPLAY GLASS - INKED - BLK/RED (170)	1
	1712003	DISPLAY GLASS - INKED - BLK/RED (171)	
8	1592073	CHANNEL - GLASS - LOWER (170)	1
	1602055	CHANNEL - GLASS - LOWER (171)	
9	1592072	CHANNEL - PANEL - LOWER GLASS (170)	1
	1602054	CHANNEL - PANEL - LOWER GLASS (171)	
10	1472048	PLATE - GLASS RETAINING	1
11	1592070	TRIM - PANEL - LOWER	1
	1602052	TRIM - PANEL - LOWER	



UPPER DOOR HINGE ASSY



453P0013

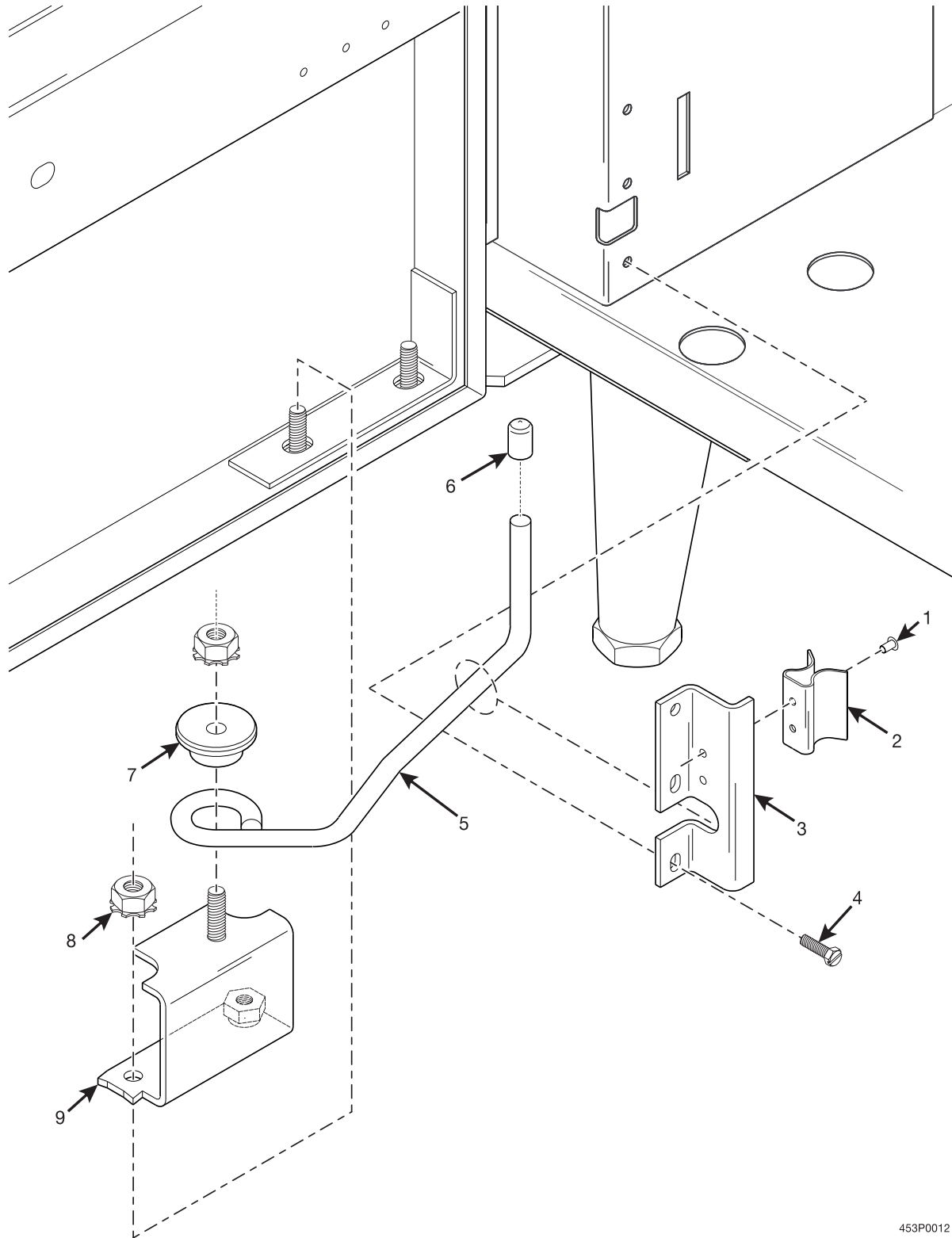
LOWER DOOR HINGE ASSY

Figure 6. Upper and Lower Door Hinge Assemblies

Snackvendor Models 170 - 171 Parts Manual

TABLE 6. UPPER AND LOWER DOOR HINGE ASSEMBLIES

INDEX	PART NUMBER	DESCRIPTION	QTY.
1	6232036	SCREW - 5/16 - 18 X .75 FLT. HD SOCKET	2
2	6232208	WELD SCREW - #1/4 - 20 X 1" LG	2
3	1571098	HINGE ASSEMBLY - UPPER	1
4	6232028	PLATE ASSEMBLY - HINGE MOUNTING	1
5	1211105	1/4 - 20 KEPS NUT EXT LW ZP	2
6	1572007	WELD ASSEMBLY - DOOR CHECK (SEE FIGURE 7 FOR DETAILS)	1
7	6232031	HINGE ASSEMBLY - DOOR - LOWER	1
8	4242145	BEARING - THRUST - LOWER HINGE	1



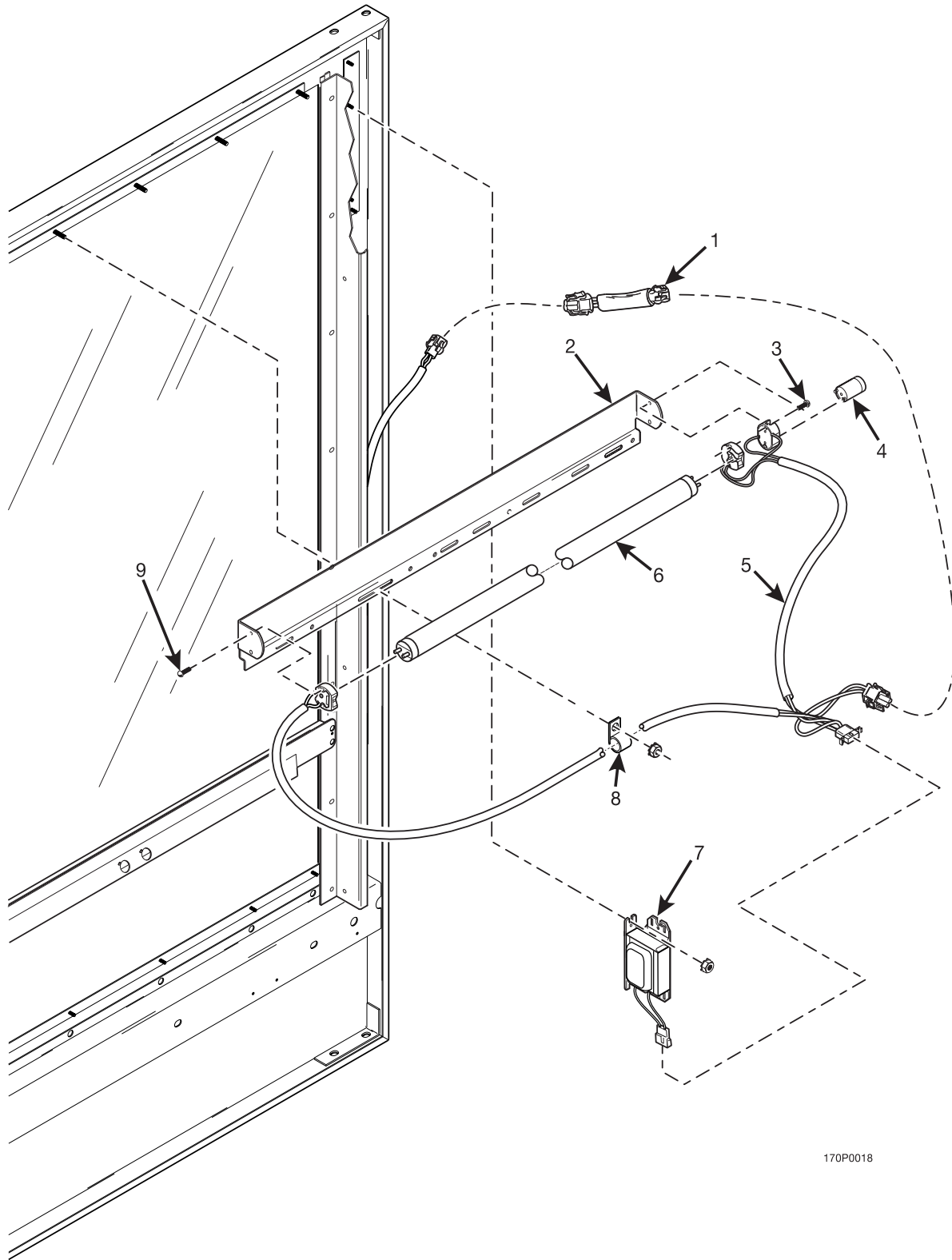
453P0012

Figure 7. Door Check

Snackvendor Models 170 - 171 Parts Manual

TABLE 7. DOOR CHECK

INDEX	PART NUMBER	DESCRIPTION	QTY.
1	1571091	RIVET - SEMI - TUBULAR - .125 DX .218	2
2	1451041	SPRING - DOOR CHECK	1
3	1572007	WELD ASSEMBLY - DOOR CHECK	1
4	1472132	SCREW - #6-32 X .25 PHS T/C	3
5	1572009	ROD - DOOR CHECK	1
6	1571037	CAP - VINYL - .281 ID X .50 LONG	1
7	1142017	BUSHING - DOOR CHECK	1
8	1211105	1/4 - 20 KEPS NUT EXT LW ZP	2
9	1572007	WELD ASSEMBLY - DOOR CHECK	1



170P0018

Figure 8. Fluorescent Light Assembly

Snackvender Models 170 - 171 Parts Manual

TABLE 8. FLUORESCENT LIGHT ASSEMBLY

INDEX	PART NUMBER	DESCRIPTION	QTY.
1	1451124	SUPPRESSION NETWORK ASSEMBLY	1
2	1572039	BRACKET - LIGHT - COMMON - 25 WATT (170)	1
	1582025	BRACKET - LIGHT - COMMON - 20 WATT (171)	
3	3107171	SCREW - #4-36 X 5/8 RHS	2
4	2302218	STARTER - FLUORESCENT LIGHT FS-25 (170)	1
	2222095	FLUORESCENT LAMP STARTER FS-2 (171)	
5	1709015	HARNESS - DOOR - FLUORESCENT LIGHT (170)	1
	1582005	HARNESS - FLUORESCENT LIGHT (171)	
6	1172115	FLUORESCENT LAMP - 25 WATT - 28" (170)	1
	1122138	FLUORESCENT LAMP - # F20T12/CW (171)	
7	6152188	BALLAST ASSEMBLY - CABINET LIGHT (170)	1
	3151058	BALLAST ASSEMBLY - 14/20 WATT (171)	
8	1452139	RETAINER - HARNESS	2
9	1452076	SCREW - #4-36 X .437 RHS	2

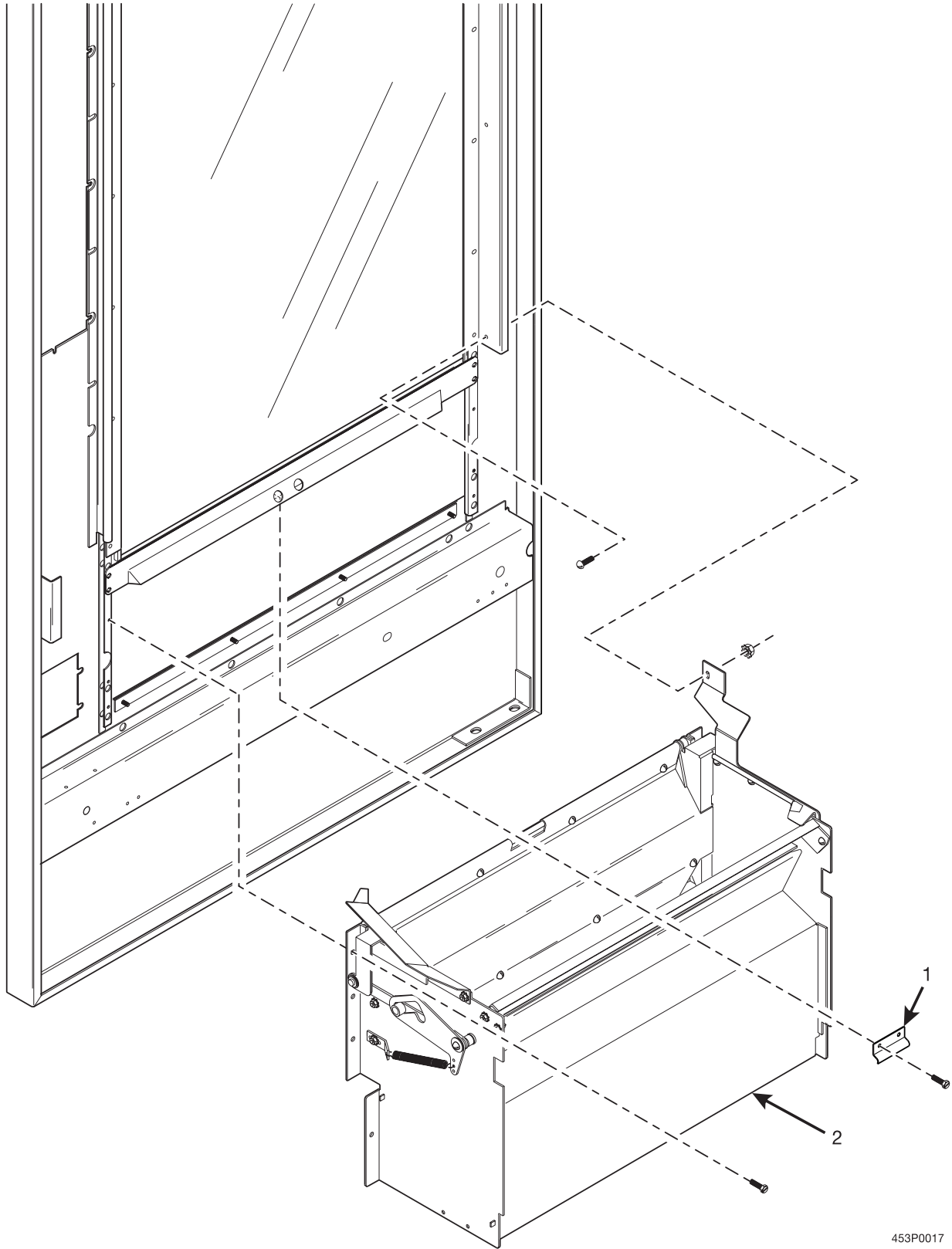
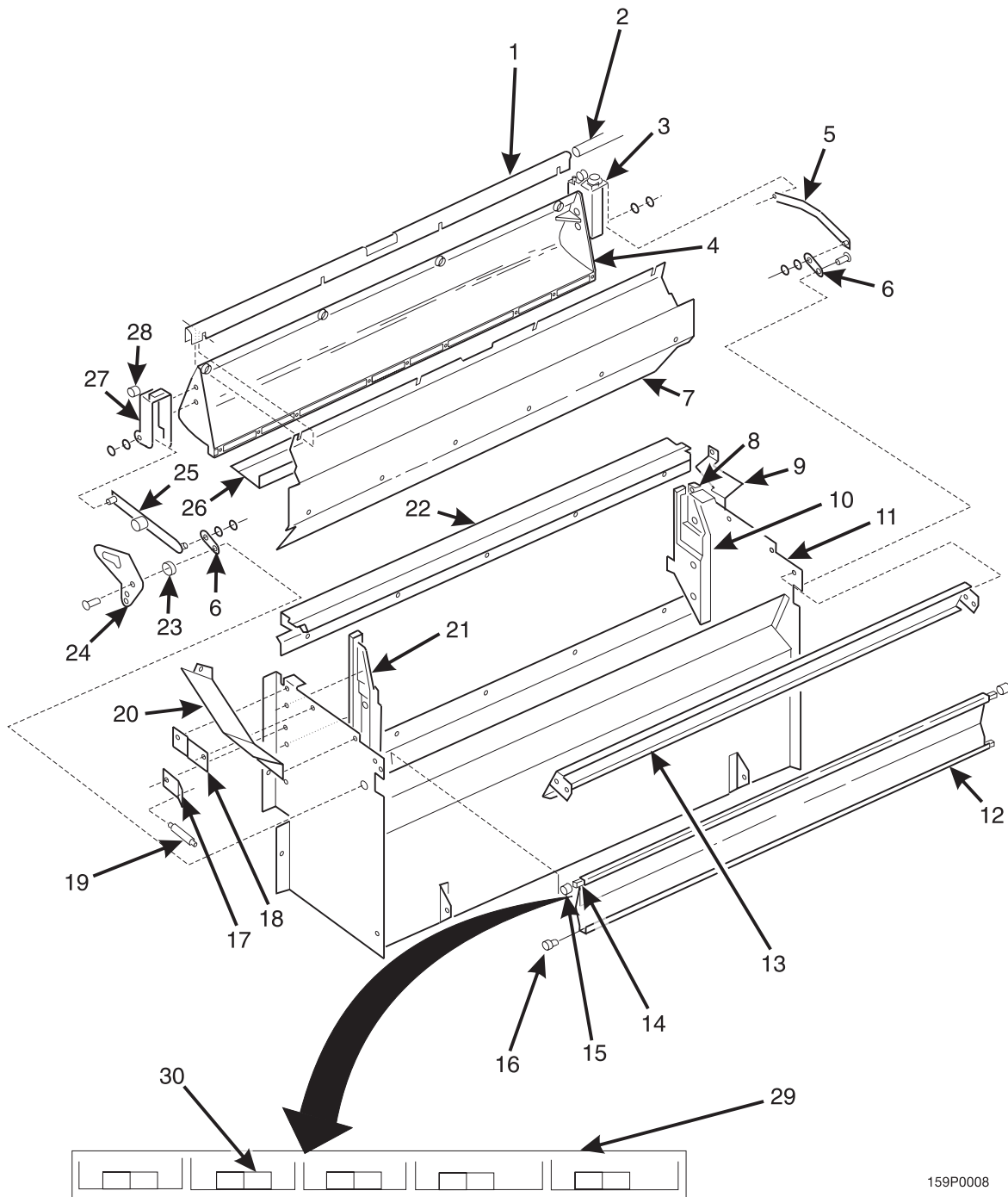


Figure 9. Delivery Pan Assembly (Part 1 of 2)

Snackvendor Models 170 - 171 Parts Manual

TABLE 9. DELIVERY PAN ASSEMBLY (PART 1 OF 2)

INDEX	PART NUMBER	DESCRIPTION	QTY.
1	1472142	RETAINER - DOOR PIVOT	1
2	1572043	FLAP DELIVERY PAN ASSEMBLY (170)	1
	1602039	FLAP DELIVERY PAN ASSEMBLY (171)	



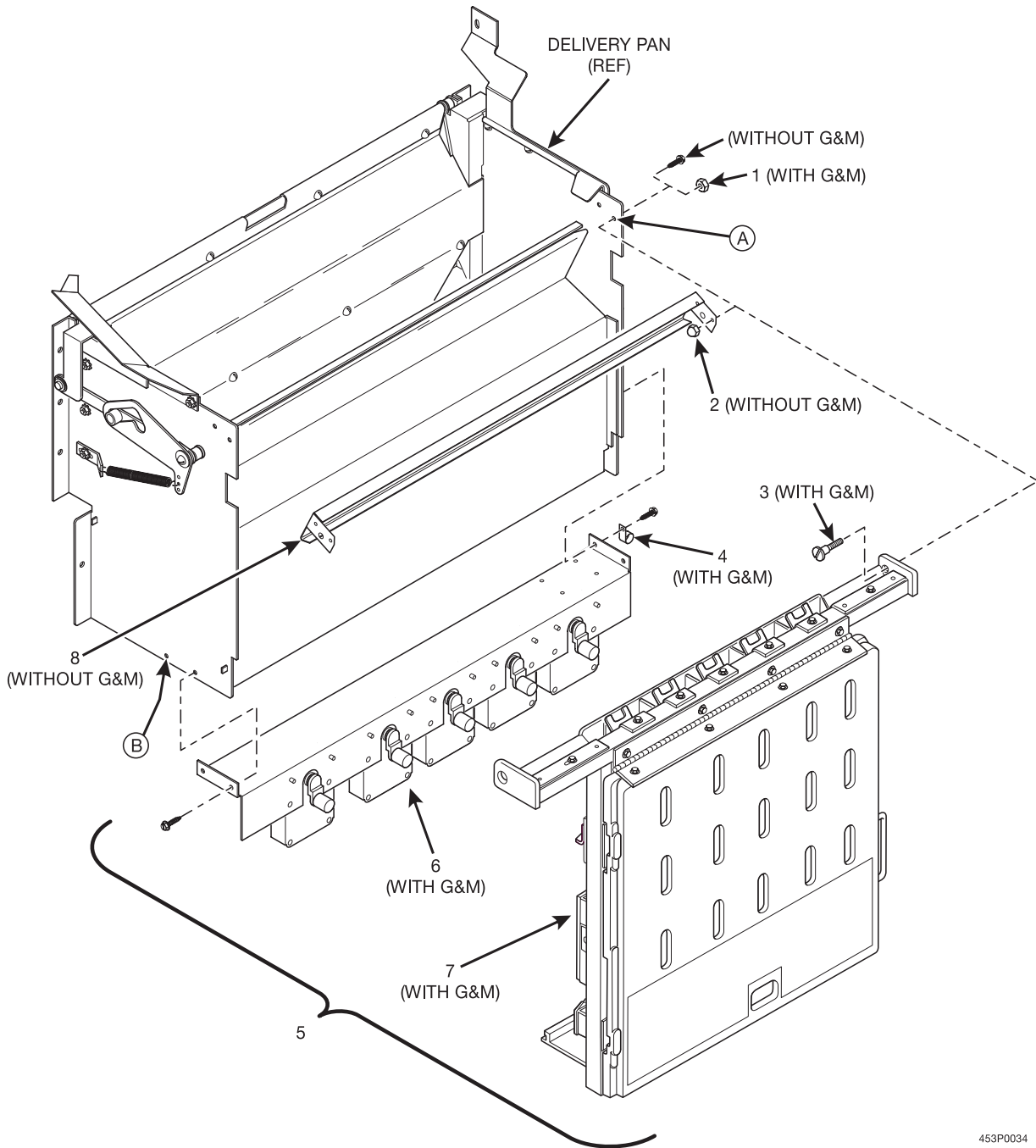
159P0008

Figure 9. Delivery Pan Assembly (Part 2 of 2)

Snackvendor Models 170 - 171 Parts Manual

TABLE 9. DELIVERY PAN ASSEMBLY (PART 2 OF 2)

INDEX	PART NUMBER	DESCRIPTION	QTY.
1	1462035	CHANNEL - DOOR (171)	1
	1412028	CHANNEL - DOOR (170)	
2	1482002	SHAFT - DOOR - PIVOT (171)	1
	1472228	SHAFT - DOOR - PIVOT (170)	
3	1482252	ACTUATOR - DELIVERY DOOR - L.H.	1
	1472272	ACTUATOR - DELIVERY DOOR - L.H.	
4	1582024	DOOR - DELIVERY	1
	1472137	DOOR - DELIVERY	
5	4402017	ACTUATOR ASSEMBLY	1
6	1472145	ACTUATOR - REAR PIVOT	2
7	1482163	LINER - DOOR - PILFERAGE (171)	1
	1472108	LINER - DOOR - PILFERAGE (170)	
8	1472069	BRACKET - DOOR - PIVOT - L.H.	1
9	1602014	DEFLECTOR - L.H. - SMALL GLASCO	1
10	1602034	FILLER - LEFT (171)	1
	1412023	FILLER - LEFT (170)	
11	1602038	WELD ASSEMBLY - DELIVERY PAN (171)	1
	1472288	WELD ASSEMBLY - DELIVERY PAN (170)	
12	1482171	ASSEMBLY - REAR - DELIVERY DOOR (171)	1
	1472138	ASSEMBLY - REAR - DELIVERY DOOR (170)	
13	1482159	FILLER - DELIVERY PAN (WITHOUT G&M)	1
14	1472087	WASHER - .38 I.D. X .56 O.D.	2
15	1472083	SPACER	2
16	4042556	CANOE CLIP	2
17	2342110	BRACKET - SPRING	1
18	1472068	BRACKET - DOOR PIVOT - R.H.	1
19	4246044	SPRING - ELEVATOR GUIDE ARM	1
20	1572029	DEFLECTOR - PRODUCT - R.H.	1
21	1412022	FILLER - RT.	1
22	1482187	PAN - DELIVERY - FRONT (171)	1
	1472200	PAN - DELIVERY - FRONT (170)	
23	2342109	BUSHING - DELIVERY LINKAGE	1
24	4402016	PLATE - DOOR RETENTION	1
25	1472156	ACTUATOR ASSEMBLY - RIGHT	1
26	1462073	ANGLE - DELIVERY DOOR (171)	1
	1412047	ANGLE - DELIVERY DOOR (170)	
27	1482251	ACTUATOR - DELIVERY DOOR - R.H. (171)	1
	1472271	ACTUATOR - DELIVERY DOOR - R.H. (170)	
28	1472219	SPACER	2
29	1702021	LABEL - GUM & MINT SELECTIONS	1
30	1472105	PRICE LABELS - GUM & MINT (\$ AND ¢)	1



453P0034

Figure 10. Gum & Mint Unit (Part 1 of 3)

Snackvendor Models 170 - 171 Parts Manual

TABLE 10. GUM & MINT UNIT (PART 1 OF 3)

INDEX	PART NUMBER	DESCRIPTION	QTY.
1	1407048	NUT - 10-32 M/F # 21TWA1032 ZP (WITH G&M)	2
2	3108030	ACORN NUT BRAS NICKEL 80-32 (WITHOUT G&M)	2
3	1479052	STUD - PIVOT - GUM & MINT (WITH G&M)	2
4	1452139	RETAINER - HARNESS (WITH G&M)	1
5	1577000	GUM & MINT COLUMN (170) (SEE PART 2 FOR DETAILS)	1
	1587000	GUM & MINT COLUMN (171) (SEE PART 2 FOR DETAILS)	
6	1479127	ANGLE & MOTOR ASEMBLY (170) (SEE PART 2 FOR DETAILS)	1
	1489004	ANGLE & MOTOR ASEMBLY (171) (SEE PART 2 FOR DETAILS)	
7	1479136	FRAME ASSEMBLY - G & M (170) (SEE PART 2 FOR DETAILS)	1
	1489008	FRAME ASSEMBLY - G & M (171) (SEE PART 2 FOR DETAILS)	
	1479130	MAGAZINE ASSEMBLY - G & M (170) (SEE PART 2 FOR DETAILS)	1
	1489006	MAGAZINE ASSEMBLY - G & M (171) (SEE PART 2 FOR DETAILS)	
8	1472802	FILLER - DELIVERY PAN (170) (WITHOUT G&M)	1
	1482159	FILLER - DELIVERY PAN (171) (WITHOUT G&M)	
-	1577000	GUM & MINT COLUMN (170)	-
	1587000	GUM & MINT COLUMN (171)	

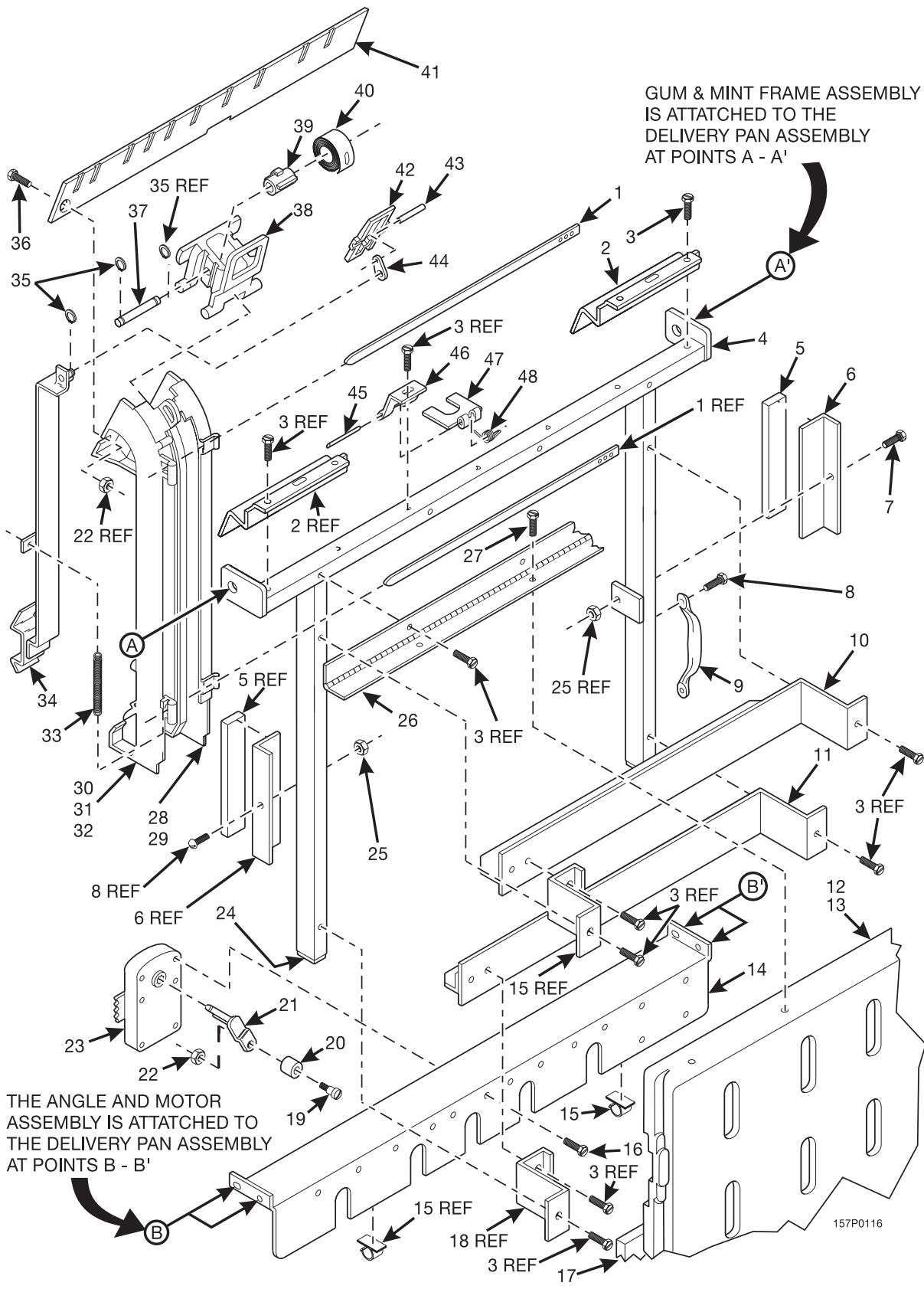


Figure 10. Gum and Mint Unit (Part 2 of 3)

Snackvendor Models 170 - 171 Parts Manual

TABLE 10. GUM & MINT UNIT (PART 2 OF 3)

INDEX	PART NUMBER	DESCRIPTION	QTY.
-	1577000	GUM & MINT COLUMN (170)	-
	1587000	GUM & MINT COLUMN (171)	
1	1579053	RETAINER	3
2	1479103	FILLER - GUM & MINT	2
3	1451097	SCREW - #8-32 X .31 HEX HD. TF	-
4	1479136	FRAME ASSEMBLY - GUM & MINT (170)	1
	1489008	FRAME ASSEMBLY - GUM & MINT (171)	
5	3122056	MAGNET RETAINER COIN CHANGER	2
6	1479117	ANGLE MAGNET	2
7	9900201	SCREW #8-32 X 5/16 RHS SEMS MACH ZINC	2
8	4041053	SCREW #10-32 X 3/8 PHS T/C W/LW	2
9	1479139	PULL - DOOR	1
10	1479089	SUPPORT ASSEMBLY - MAGAZINE - UPPER	1
11	1479092	SUPPORT ASSEMBLY - MAGAZINE - LOWER	1
12	1479101	COVER - GUM & MINT	1
13	1479124	LABEL - LOADING - GUM & MINT	1
14	1479102	ANGLE - MOTOR (170)	1
	1489005	ANGLE - MOTOR (171)	
15	6131143	CABLE CLAMP - RICHCO #KKC6	2
16	1457027	SCREW - #8-32 X .81 HEX HD. - T/F	10
17	1479119	MAGNET - RETAINER	2
18	1479095	BRACKET - MAGAZINE	2
19	1479062	STUD - DRIVE ARM	5
20	1479063	ROLLER - DRIVE ARM	5
21	1479145	ARM - DRIVE MOTOR	5
22	9900081	NUT - #8-32 KEPS ZINC PLATE	5
23	1577035	MOTOR & PC BOARD ASSEMBLY	5
24	1479120	CAPLUG - REC. 1/2 X 1	2
25	1412046	NUT - #8-32 MF 23TW832 BLOX	2
26	1479104	HINGE - COVER	1
27	1437204	SCREW - #8-10 X .38 HEX HD. TF	4
28	1479073	CHANNEL - GUM & MINT - LEFT	5
29	1479064	SPACER - COLUMN - GUM & MINT	2
30	1479076	CHANNEL - GUM & MINT - RIGHT - SMALL	3
31	1479077	CHANNEL - GUM & MINT - RIGHT - LARGE	2
32	1572040	LABEL - LOADING LINE - GUM & MINT	1
33	4246307	SPRING - HORIZONTAL SELECTOR ARM	5
34	1479123	DRIVE BAR & STUD ASSEMBLY	5
35	9900425	RETAINING RING - REINF. E TYPE .250	15

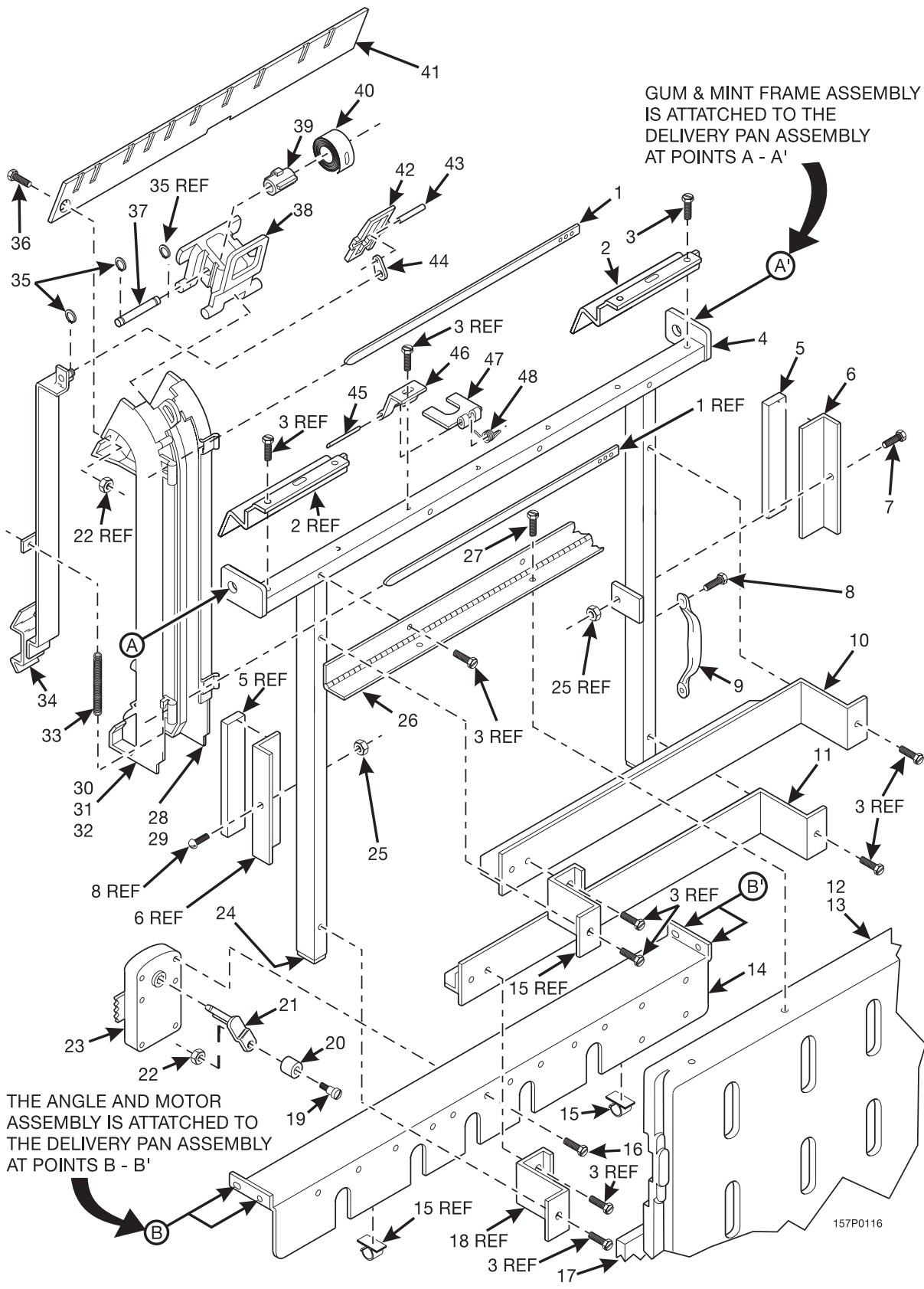
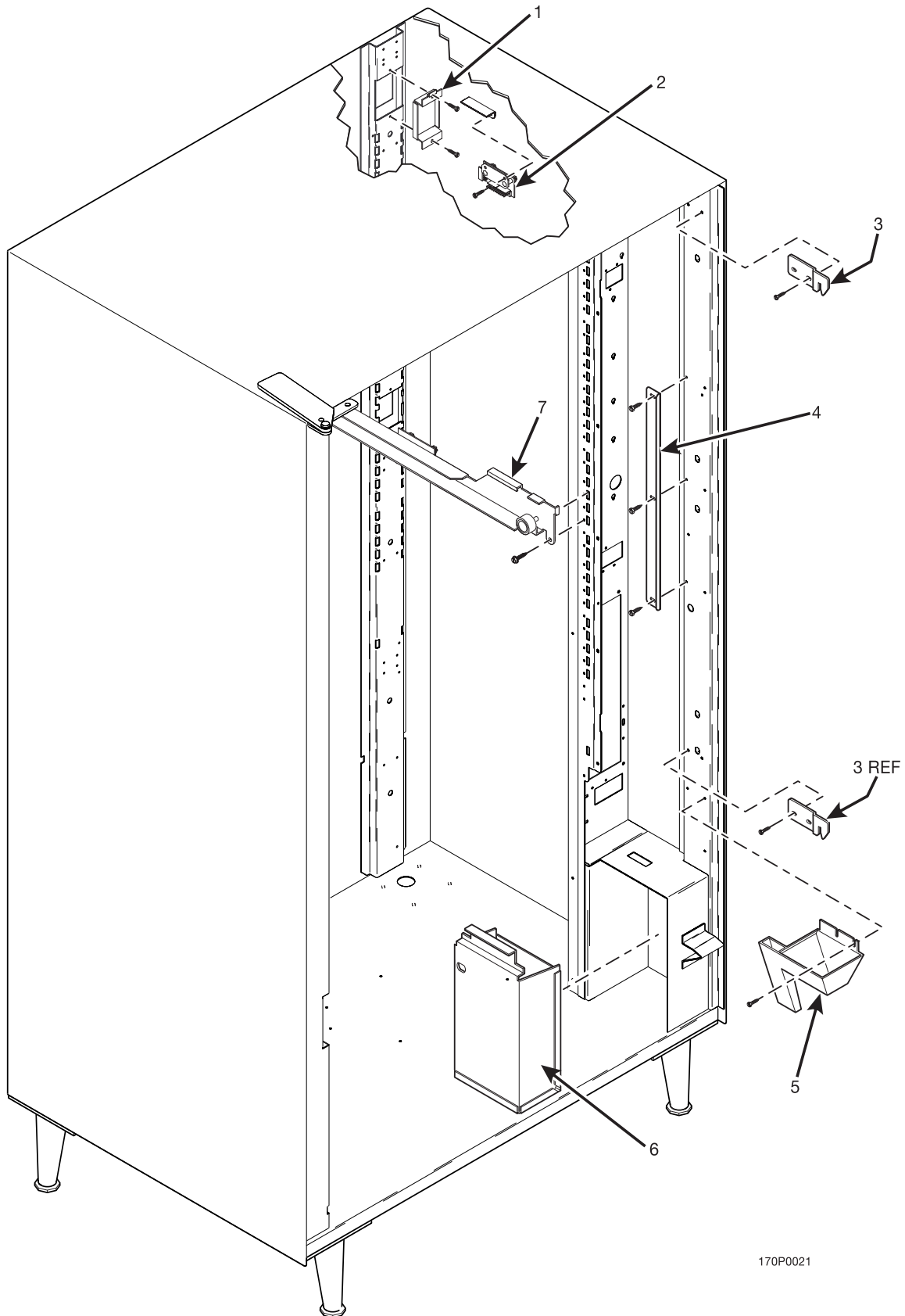


Figure 10. Gum and Mint Unit (Part 3 of 3)

Snackvendor Models 170 - 171 Parts Manual

TABLE 10. GUM & MINT UNIT (PART 3 OF 3)

INDEX	PART NUMBER	DESCRIPTION	QTY.
36	9900020	SCREW #8-32 X 1/2 RHS MACH. ZINC	1
37	1479099	PIN - PUSHER	5
38	1479079	PUSHER	5
39	1479080	SPOOL - SPRING	5
40	1479106	SPRING - PUSHER	5
41	1479105	WINDOW - GUM & MINT	1
42	1479078	EJECTOR - GUM & MINT	5
43	1479098	PIN - EJECTOR	5
44	1479097	LINK - EJECTOR	5
45	1479083	PIN - HINGE	5
46	1479082	HINGE - BACK	5
47	1479081	HINGE - FRONT	5
48	1479084	SPRING - HINGE	5



170P0021

Figure 11. Cabinet Miscellaneous (Part 1 of 3)

Snackvendor Models 170 - 171 Parts Manual

TABLE 11. CABINET MISCELLANEOUS (PART 1 OF 3)

INDEX	PART NUMBER	DESCRIPTION	QTY.
1	1471090	COVER - FAN HOLE (SEE FIGURE 11 FOR DETAILS)	1
2	1596012	PCB ASSEMBLY - TRAY (SEE FIGURE 11 FOR DETAILS)	-
3	1571074	CABINET LOCK ARMS	2
4	1571022	MONETARY STOP PANEL	1
5	6231242	PAYOUT CHUTE	1
6	1571029	COIN BOX ASSEMBLY	1
7	1701009	TRAY GUIDE RAIL/PCB ASSEMBLY - R.H. (SEE FIGURE 11 FOR DETAILS)	-
	1701006	TRAY GUIDE RAIL ASSEMBLY - L.H.	

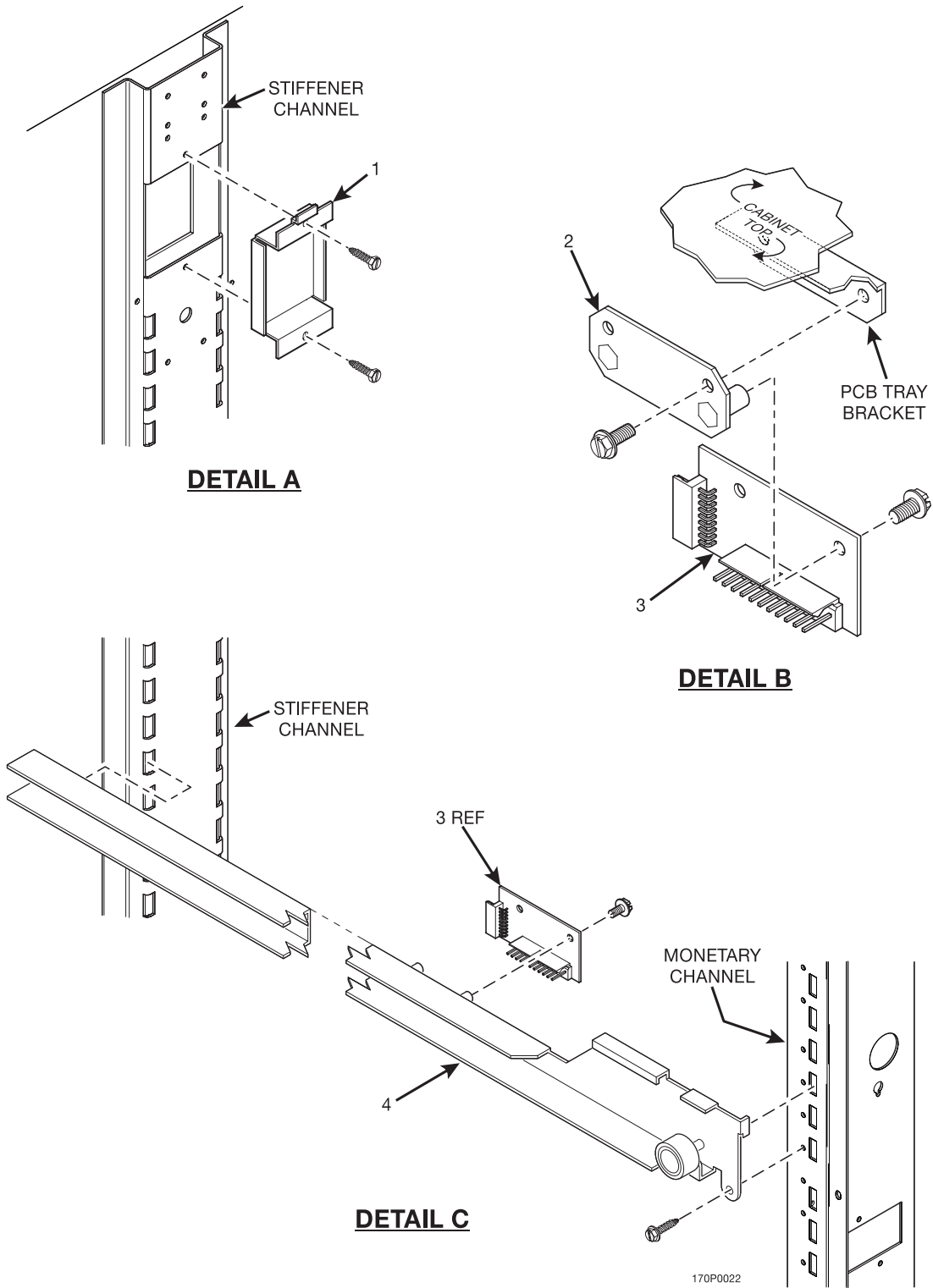
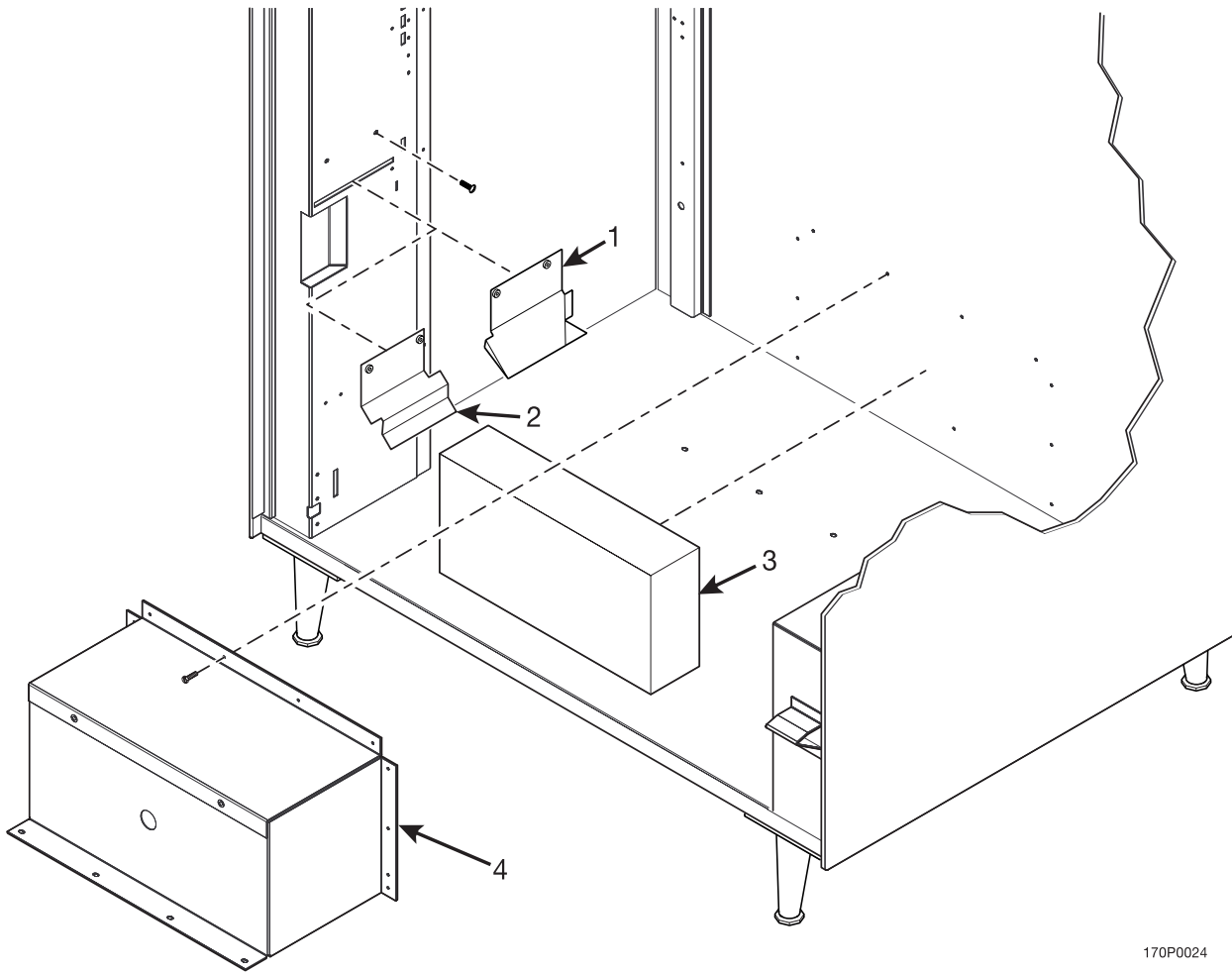


Figure 11. Cabinet Miscellaneous (Part 2 of 3)

Snackvender Models 170 - 171 Parts Manual

TABLE 11. CABINET MISCELLANEOUS (PART 2 OF 3)

INDEX	PART NUMBER	DESCRIPTION	QTY.
1	1471090	COVER - FAN HOLE	1
2	1571175	PLATE - PCB RAIL MOUNTING	-
3	1596012	PCB ASSEMBLY - TRAY	-
4	1701008	TRAY GUIDE RAIL - W/STANDOFFS	-



170P0024

Figure 11. Cabinet Miscellaneous (Part 3 of 3)

Snackvendor Models 170 - 171 Parts Manual

TABLE 11. CABINET MISCELLANEOUS (PART 3 OF 3)

INDEX	PART NUMBER	DESCRIPTION	QTY.
1	1581039	DEFLECTOR ASSEMBLY - SMALL SNACK (171)	1
2	1571123	DEFLECTOR - LARGE SNACK (170)	
3	2351017	BALLAST - BLOCK	1
4	1701033	COVER ASSEMBLY - WEIGHT	1

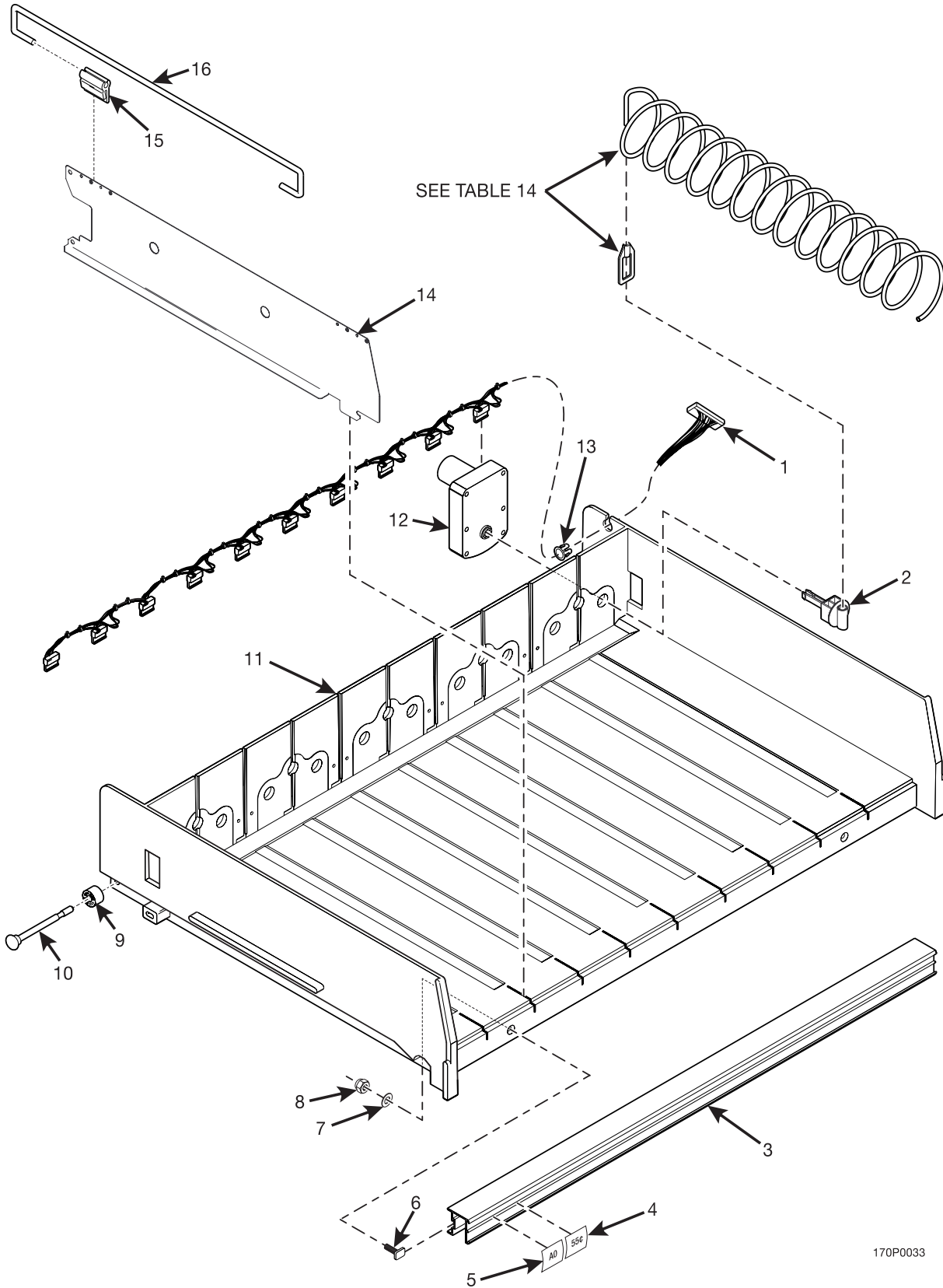
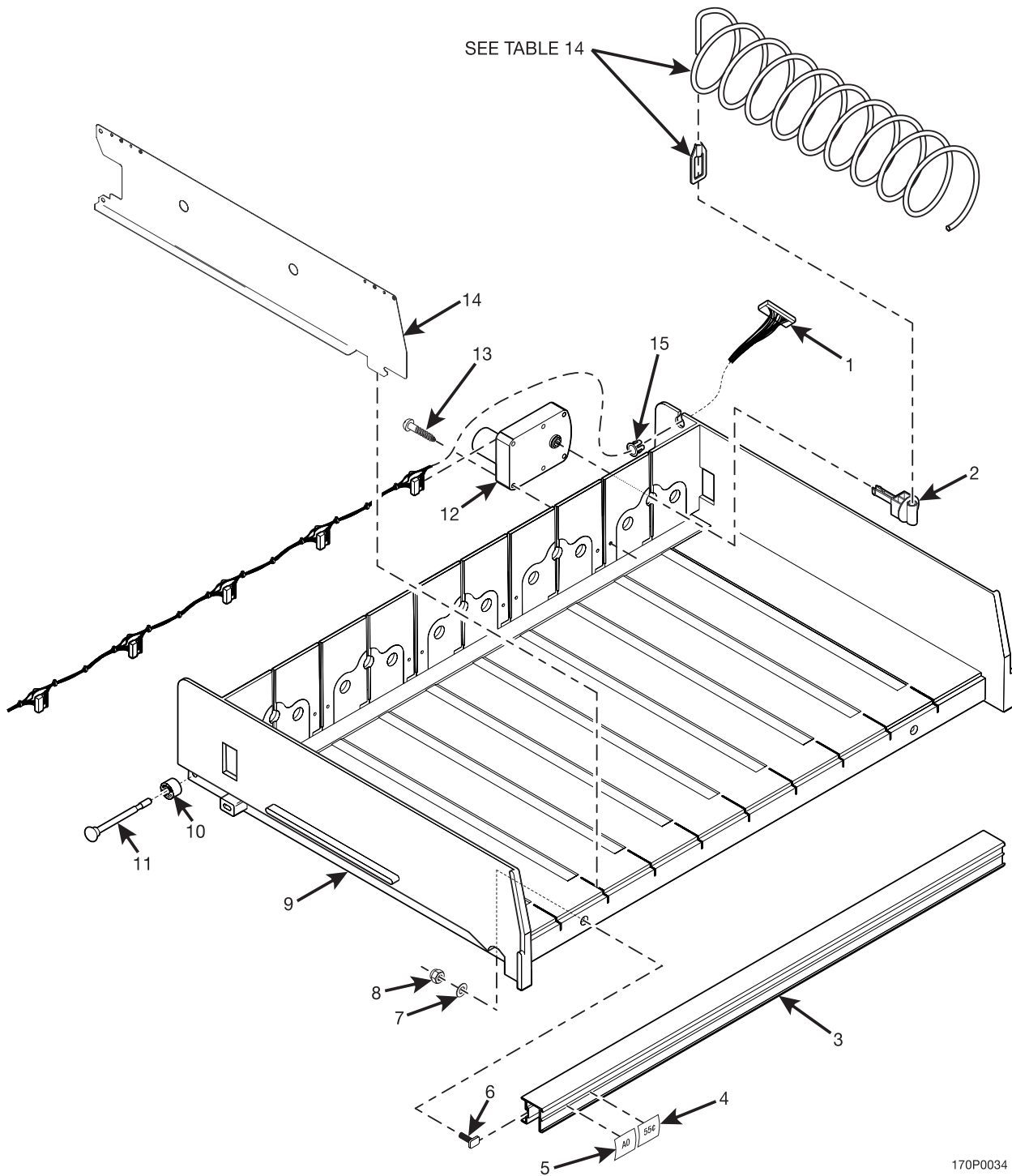


Figure 12. Candy Tray Assembly

Snackvendor Models 170 - 171 Parts Manual

TABLE 12. CANDY TRAY ASSEMBLY

INDEX	PART NUMBER	DESCRIPTION	QTY.
-	1707032	CANDY TRAY ASSEMBLY (170)	OPT.
	1717004	CANDY TRAY ASSEMBLY (171)	
1	1709014	HARNESS - 10 MOTOR TRAY - 28" (170) (SHOWN)	1
	1709013	HARNESS - 8 MOTOR TRAY - 28" (171) (NOT SHOWN)	
2	1477113	COUPLING SPIRAL (170) (SHOWN)	10
		COUPLING SPIRAL (171) (NOT SHOWN)	8
3	1707002	RAIL - PRICE & 5/10 SELECTION (170) (SHOWN)	1
	1717002	RAIL - PRICE & 4/8 SELECTION (171) (NOT SHOWN)	
4	1590022	PRICE TAGS - SHEET 1 - STANDARD - 35¢ TO \$1.25	2
5	1590025	LABEL - ITEM LETTERS - A0 THRU G9	1
6	2222031	TEE BOLT - TRIM (170)	3
		TEE BOLT - TRIM (171)	2
7	5560113	WASHER - HOPPER RELEASE (170)	3
		WASHER - HOPPER RELEASE (171)	2
8	9900030	NUT - #8-32 SELF-LOCKING (170)	3
		NUT - #8-32 SELF-LOCKING (171)	2
9	1477148	ROLLER - TRAY	2
10	1477097	AXLE - TRAY ROLLER	2
11	1707001	TRAY - 5/10 DIVISION (170)	1
	1717001	TRAY - 4/8 DIVISION (171)	
12	1577035	MOTOR & PC BOARD ASSEMBLY (170)	10
		MOTOR & PC BOARD ASSEMBLY (171)	8
13	3502097	BUSHING #OCB-500	1
14	1707003	WALL - TRAY (170)	9
		WALL - TRAY (171)	7
15	1707030	MOUNT - PRODUCT RETAINER	OPT.
16	1707063	RETAINER - PRODUCT ADJ. - BLACK	OPT.



170P0034

Figure 13. Snack Tray Assembly

Snackvendor Models 170 - 171 Parts Manual

TABLE 13. SNACK TRAY ASSEMBLY

INDEX	PART NUMBER	DESCRIPTION	QTY.
-	1707032	SNACK TRAY ASSEMBLY (170)	OPT.
	1717003	SNACK TRAY ASSEMBLY (171)	
1	1709012	HARNESS - 5 MOTOR TRAY - 28" (170)	1
	1709011	HARNESS - 4 MOTOR TRAY - 28" (171)	
2	1477113	COUPLING - SPIRAL (170)	10
		COUPLING - SPIRAL (171)	8
3	1707002	RAIL - PRICE & 5/10 SELECTION	1
	1717002	RAIL - PRICE & 4/8 SELECTION	
4	1590022	PRICE TAGS - SHEET 1 STANDARD - 35¢ TO \$1.25	2
5	1590025	LABEL - ITEM LETTERS - A0 THRU G9	1
6	2222031	TEE BOLT - TRIM (170)	3
		TEE BOLT - TRIM (171)	2
7	5560113	WASHER - HOPPER RELEASE (170)	3
		WASHER - HOPPER RELEASE (171)	2
8	9900030	NUT - #8-32 SELF LOCKING (170)	3
		NUT - #8-32 SELF LOCKING (171)	2
9	1707001	TRAY - 5/10 DIVISION (170)	1
	1717001	TRAY - 5/10 DIVISION (171)	
10	1477148	ROLLER - TRAY	2
11	1477097	AXLE - TRAY ROLLER	2
12	1577035	MOTOR & PC BOARD ASSEMBLY (170)	5
		MOTOR & PC BOARD ASSEMBLY (171)	4
13	1707037	SCREW - #8-16 X .88 PHS PLASTIC (170)	5
		SCREW - #8-16 X .88 PHS PLASTIC (171)	4
14	1707003	WALL - TRAY (170)	4
		WALL - TRAY (171)	3

Snackvendor Models 170 - 171 Parts Manual

TABLE 14. SPIRAL OPTIONS

SPIRAL AND RETAINER ASSEMBLY	SPIRAL RETAINER COLOR	SPIRAL RETAINER NUMBER	SPIRAL PART NUMBER	SPIRAL DESCRIPTION	COUNT	LEFT HAND	RIGHT HAND
1700004	BLUE	1457061	1707005	2.57" DIA.	10	■	□
1707006	BLUE	1457061	1707007	2.57" DIA.	10	□	■
1707008	YELLOW	1457062	1707009	2.57" DIA.	12	■	□
1707010	YELLOW	1457062	1707011	2.57" DIA.	12	□	■
1707012	RED	1457063	1707016	2.57" DIA.	14	■	□
1707014	RED	1457063	1707015	2.57" DIA.	14	□	■
1707016	GRAY	1477155	1707017	2.57" DIA.	8	■	□
1707018	GRAY	1477155	1707019	2.57" DIA.	8	□	■
1707024	GRAY	1477155	1707025	3.62" DIA.	8	■	□
1707026	BLUE	1457061	1707027	3.62" DIA.	10	■	□
1707028	RED	1457063	1707029	3.62" DIA.	14	■	□
1707039	PURPLE	1477107	1707038	3.62" DIA.	6	■	□
1707041	PURPLE	1477107	1707040	2.57" DIA.	6	■	□
1707043	PURPLE	1477107	1707042	2.57" DIA.	6	□	■

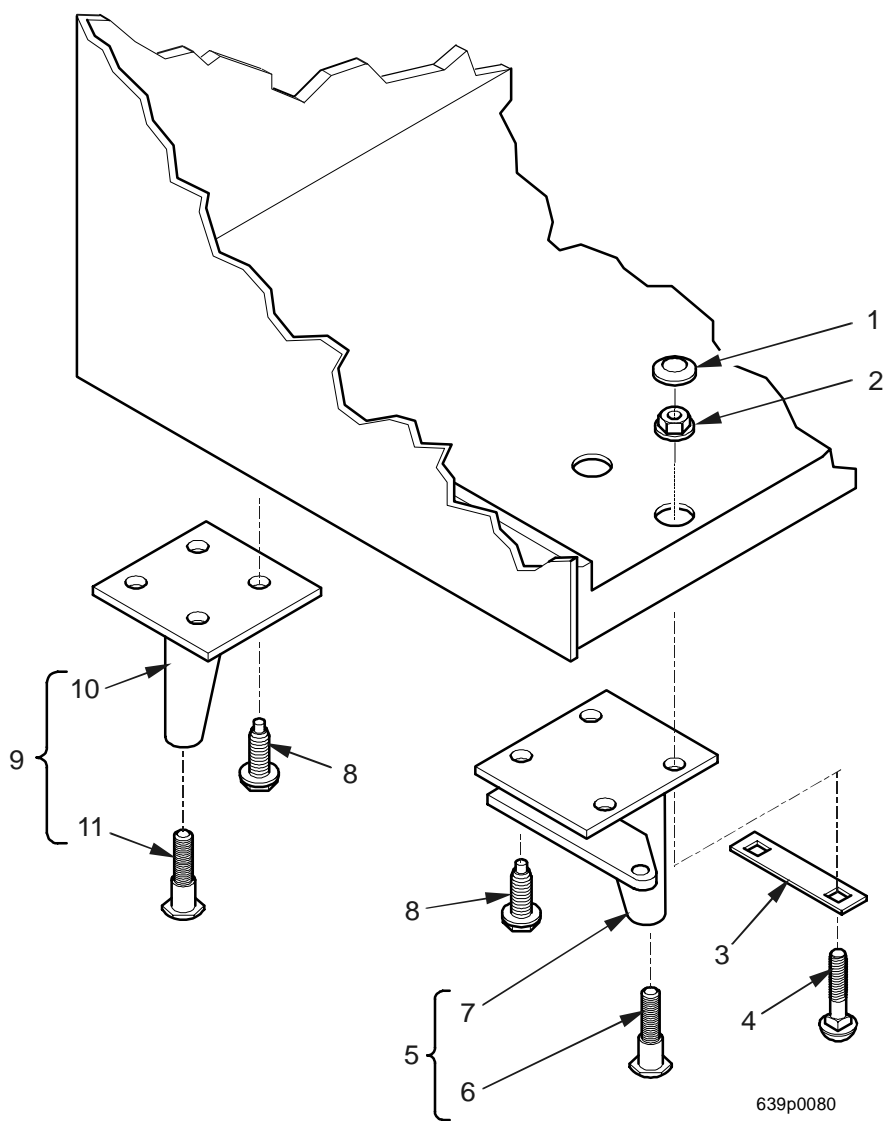


Figure 15. Leg, Leveler and Leg and Hinge Assemblies

Snackvendor Models 170 - 171 Parts Manual

TABLE 15. LEG, LEVELER AND LEG AND HINGE ASSEMBLIES

INDEX	PART NUMBER	DESCRIPTION	QTY.
1	6231034	PLUG - HOLE (NOT USED IN ALL APPLICATIONS)	2
2	1172021	NUT - 1/4-20 WHIZ-LOCK	2
3	6231203	PLATE - HINGE LEG BOLT	1
4	1211112	TRAY BOLT	2
5	6231163	LEG, HINGE, AND LEVELER ASSEMBLY	1
6	1471098	LEVELER - CABINET	1
7	1571115	LEG AND HINGE ASSEMBLY	1
8	9900218	SCREW - # 5/16 X 1 W/LOCKING RING	14
9	1471237	LEG AND LEVELER ASSEMBLY - CABINET	3
10	1571127	LEG ASSEMBLY - CABINET	1
11	1471098	LEVELER - CABINET	1

Snackvendor Models 170 - 171 Parts Manual

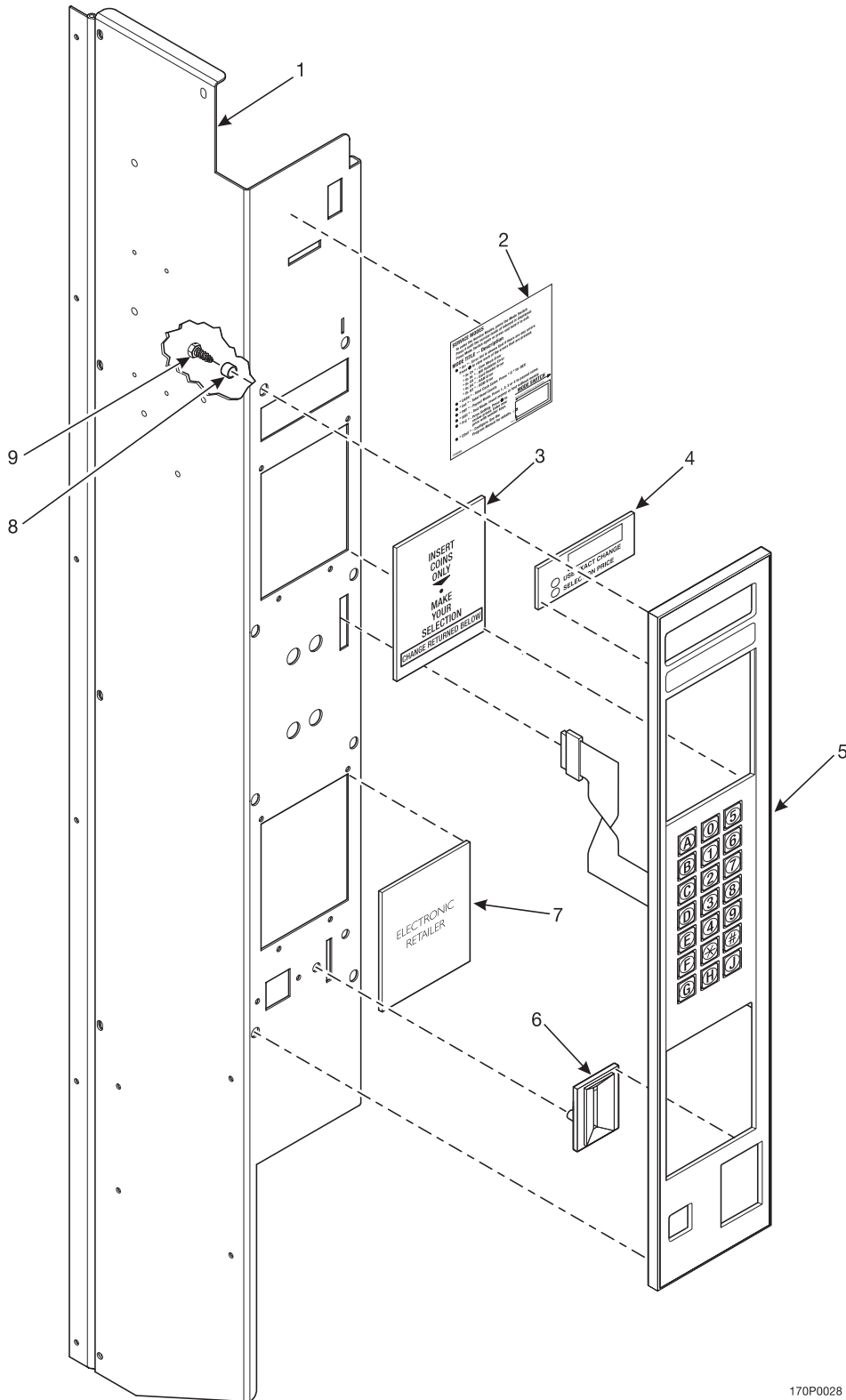


Figure 16. Monetary Panel Assembly (Part 1 of 3)

Snackvendor Models 170 - 171 Parts Manual

TABLE 16. MONETARY PANEL ASSEMBLY (PART 1 OF 3)

INDEX	PART NUMBER	DESCRIPTION	QTY.
1	1575068	PANEL - WELD ASSEMBLY - MONETARY	1
2	1700009	LABEL - PROG. INSTRUCTIONS - ENGLISH	1
3	1575013	INSERT - INSTR. - COINS ONLY - ENGLISH	1
4	4272003	LENS - DISPLAY	1
5	1595016	FACEPLATE ASSEMBLY - GPL (SEE FIGURE 17 FOR DETAILS)	1
6	1472223	COIN INSERT	1
7	1575035	INSERT - INSTRUCTIONS - LOWER - ENGLISH	1
8	2302053	SPACER CUP	-
9	1437204	SCREW - #8-10 X .38 HEX HD. TF	-

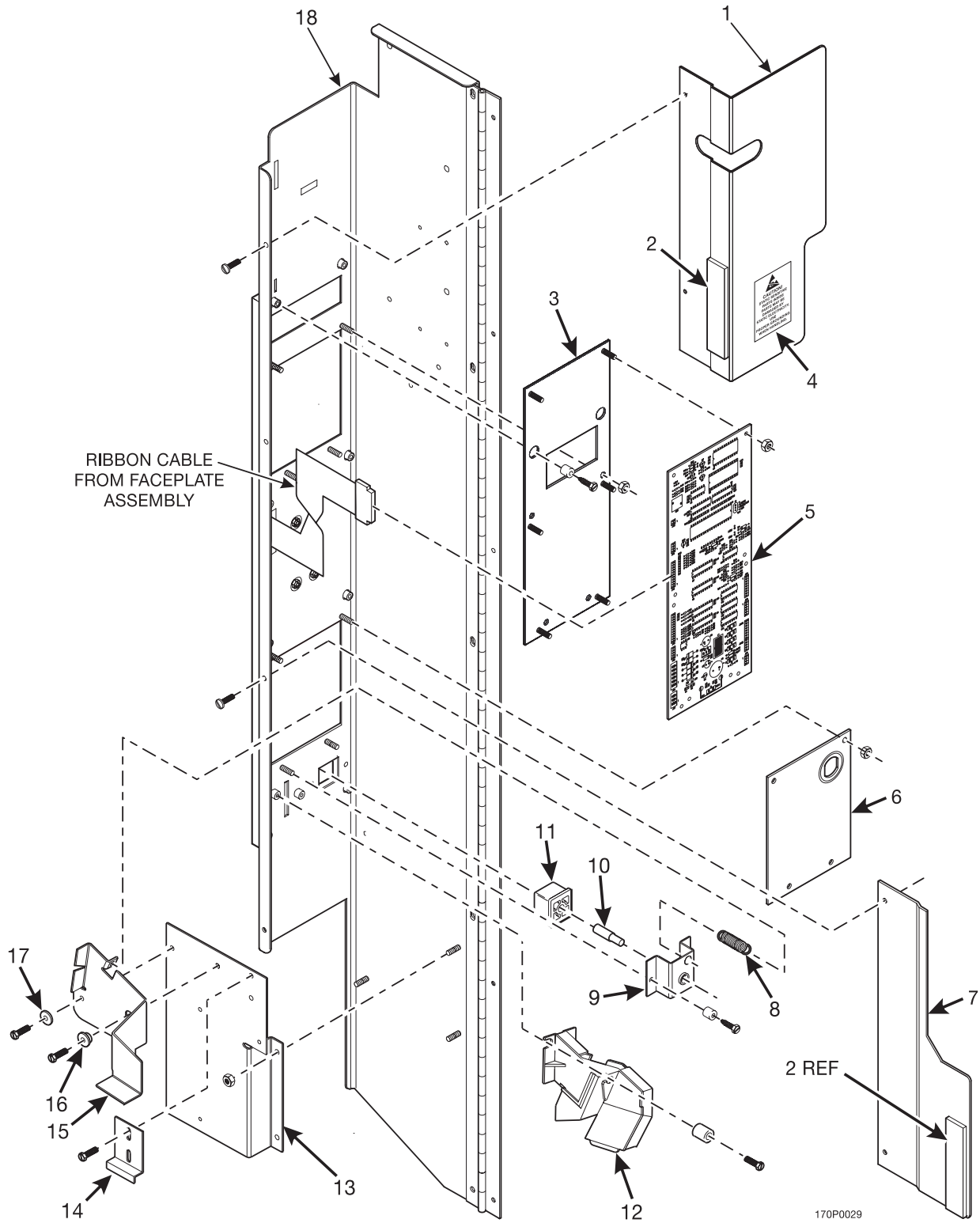
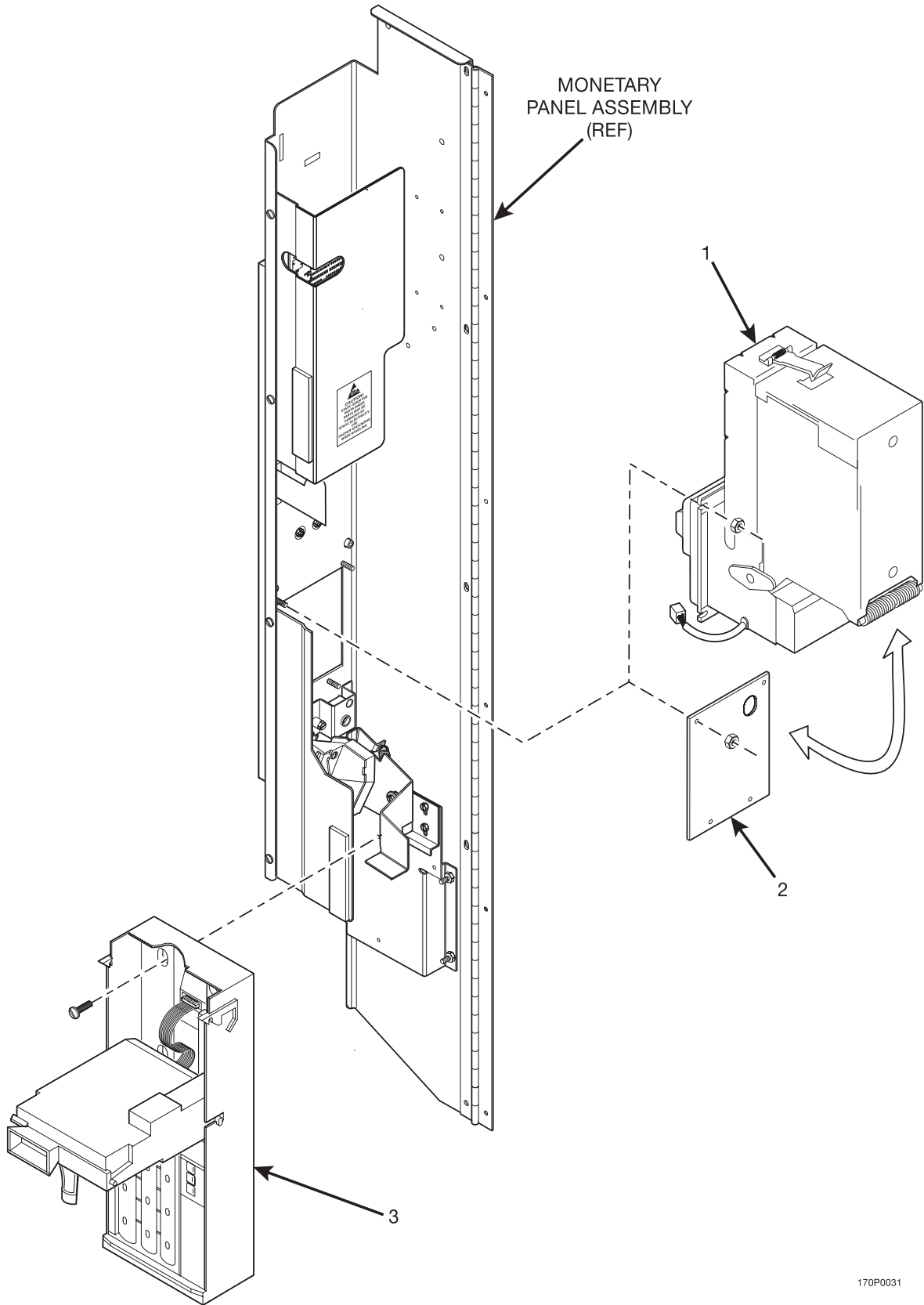


Figure 16. Monetary Panel Assembly (Part 2 of 3)

Snackvendor Models 170 - 171 Parts Manual

TABLE 16. MONETARY PANEL ASSEMBLY (PART 2 OF 3)

INDEX	PART NUMBER	DESCRIPTION	QTY.
1	1701017	PCB COVER, MAGNET HOLDER	1
2	3122056	MAGNET RETAINER - COIN CHANGER	2
3	1701016	MOUNTING - PCB	1
4	1571154	LABEL - CAUTION - STATIC/ELECT	1
5	4276000	MAIN CONTROL PCB W/EPROM	1
6	1575048	PLATE - INSERT BACKING	1
7	1701014	PLATE - MAGNET MOUNTING - LOWER	1
8	1127808	SPRING - SHELF RESET	1
9	1571097	RECEPTACLE BLOCK & P/C	1
10	1475072	SHAFT - RETURN BUTTON	1
11	1475026	BUTTON - COIN RETURN	1
12	1575003	COIN CHUTE ASSEMBLY	1
13	1571078	BRACKET - COIN MECHANISM	1
14	6231037	CLAMP - CABLE	1
15	1571113	ARM - SCAVENGER	1
16	2228011	SPACER - RELEASE ARM	1
17	2220493	WASHER - SCAVENGER BAR	2
18	1575068	PANEL - WELD ASSEMBLY - MONETARY	1



170P0031

Figure 16. Monetary Panel Assembly (Part 3 of 3)

Snackvendor Models 170 - 171 Parts Manual

TABLE 16. MONETARY PANEL ASSEMBLY (PART 3 OF 3)

INDEX	PART NUMBER	DESCRIPTION	QTY.
VALIDATOR OPTIONS:			
1	5900182	VALIDATOR - COINCO - BA30SA	OPT.
	1579034	HARNESS FOR BA30SA *** MDB	
	5900210	VALIDATOR - MARS - VN2512 - U5M/500 - MDB	
	5900234	VALIDATOR - CONLUX MKA 2162-128 - 24V	
	1579050	HARNESS ** MDB *** FOR CONLUX 200	
	5900221	VALIDATOR - COINCO - BA 32/SA - 24V	
	1579034	HARNESS FOR BA 30/32 SA *** MDB	
2	1575048	PLATE - INSERT - BACKING (NO VALIDATOR OPTION)	OPT.
COIN MECH OPTIONS:			
3	5900192	COIN UNIT - CONLUX - USLX00401F	OPT.
	5900209	COIN UNIT - CONLUX USLZ - 001 - MDB	
	5900213	COIN UNIT - COINCO - 9302 - GX - MDB	
	5900214	COIN UNIT - MARS - VN4510 - MDB	
	5900237	COIN MECH - CONLUX - USLX - 001 120V	
	5900243	COIN UNIT - TRC 6512 MDB - 1195500	
	6400002	COIN CHANGER - MARS #TRC 6010 XV	
	6400003	COIN CHANGER - COINCO 9302 LF - 24V	

NOTE: ALL VALIDATORS HELD IN PLACE WITH (4) 9900081 NUT #8-32 KEPS ZINC PLATE.

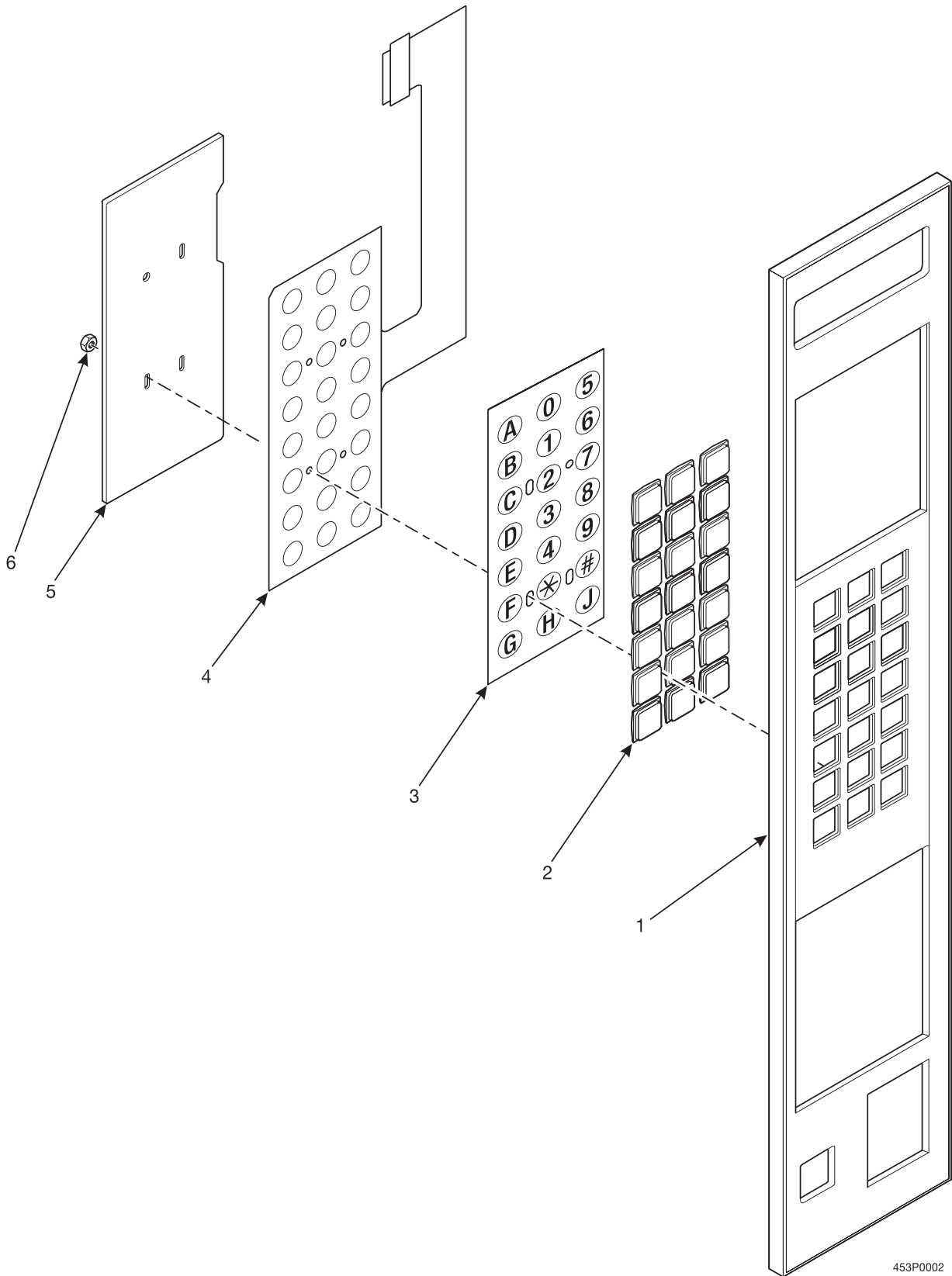
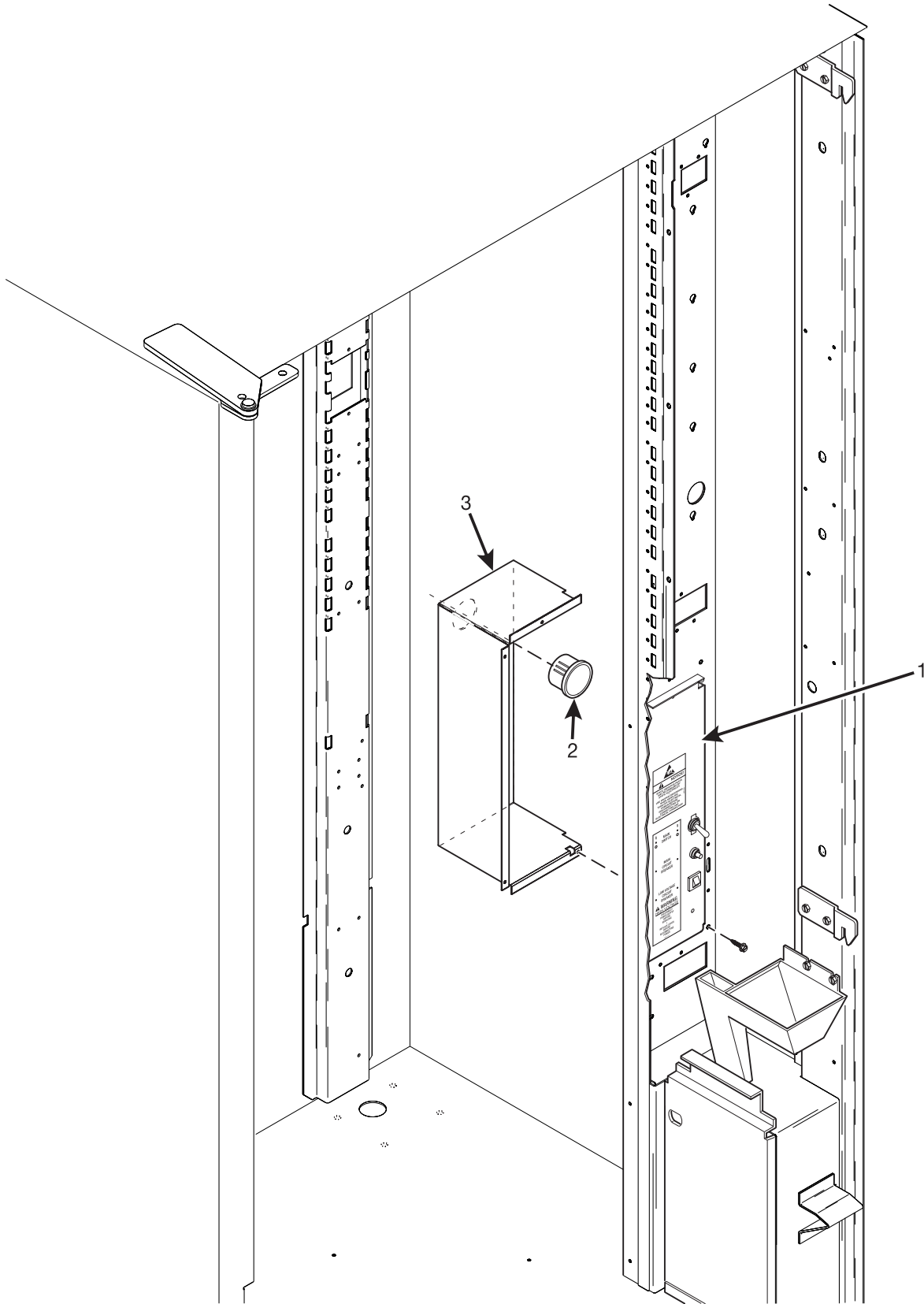


Figure 17. Face Plate Assembly

Snackvendor Models 170 - 171 Parts Manual

TABLE 17. FACE PLATE ASSEMBLY

INDEX	PART NUMBER	DESCRIPTION	QTY.
-	1595016	FACE PLATE ASSEMBLY - GPL	-
1	1595013	FRAME - MONETARY PANEL - GPL	1
2	1472251	LENS - PUSH BUTTON	21
3	1595002	LETTER SHEET - SELECT SWITCH	1
4	9984630	MEMBRANE SWITCH ASSEMBLY - SELECT	1
5	1575009	PLATE - SELECT SWITCH - BACK UP	1
6	1475089	1/8" NUT - SELF-THREADING	4



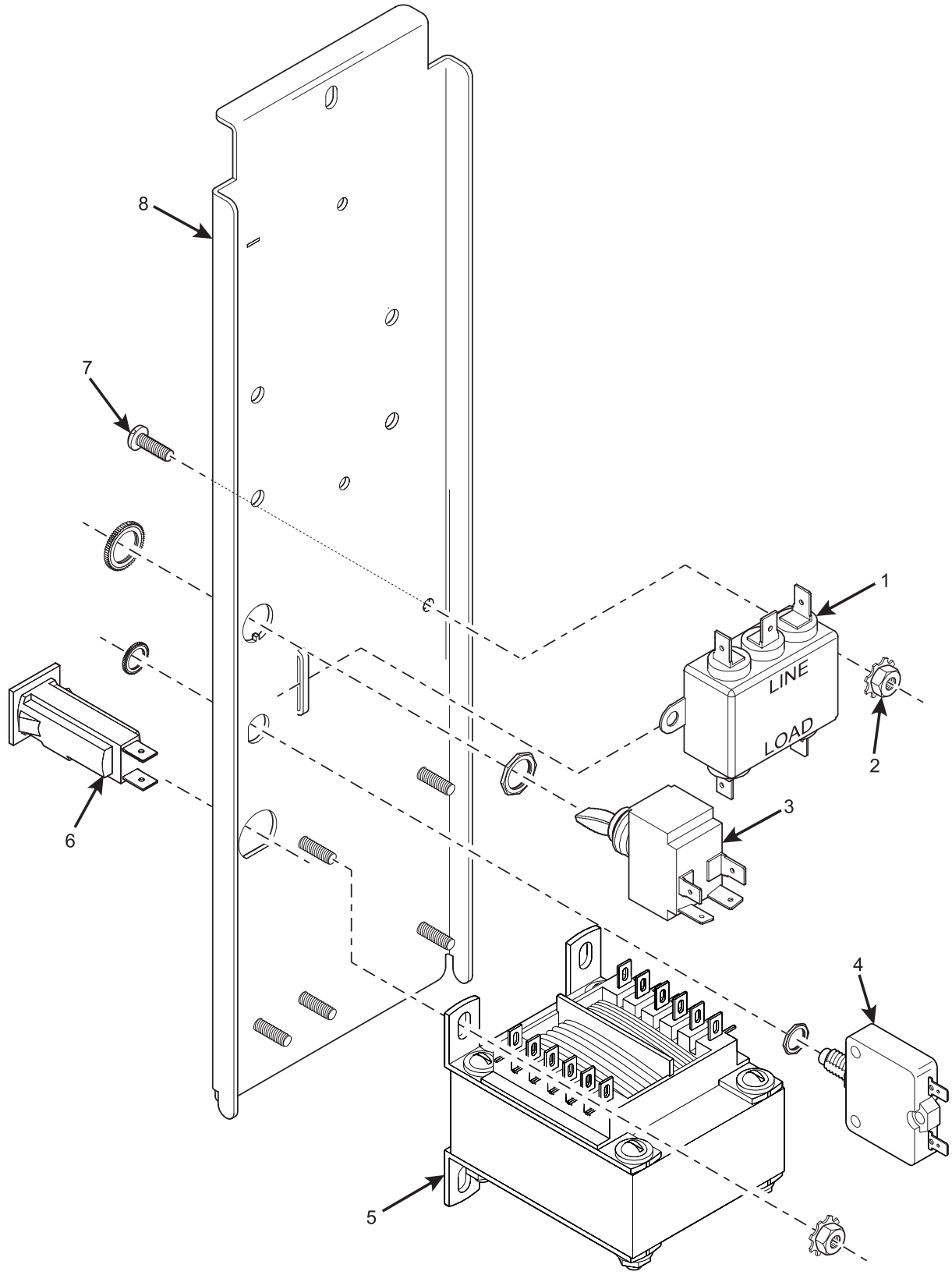
170P0030

Figure 18. Power Panel Housing

Snackvendor Models 170 - 171 Parts Manual

TABLE 18. POWER PANEL HOUSING

INDEX	PART NUMBER	DESCRIPTION	QTY.
1	1701015X	POWER PANEL ASSEMBLY - DOMESTIC (SEE FIGURE 19 FOR DETAILS)	1
2	6106021	BUSHING - #SB1500-21	1
3	1571193	HOUSING - POWER PANEL	1



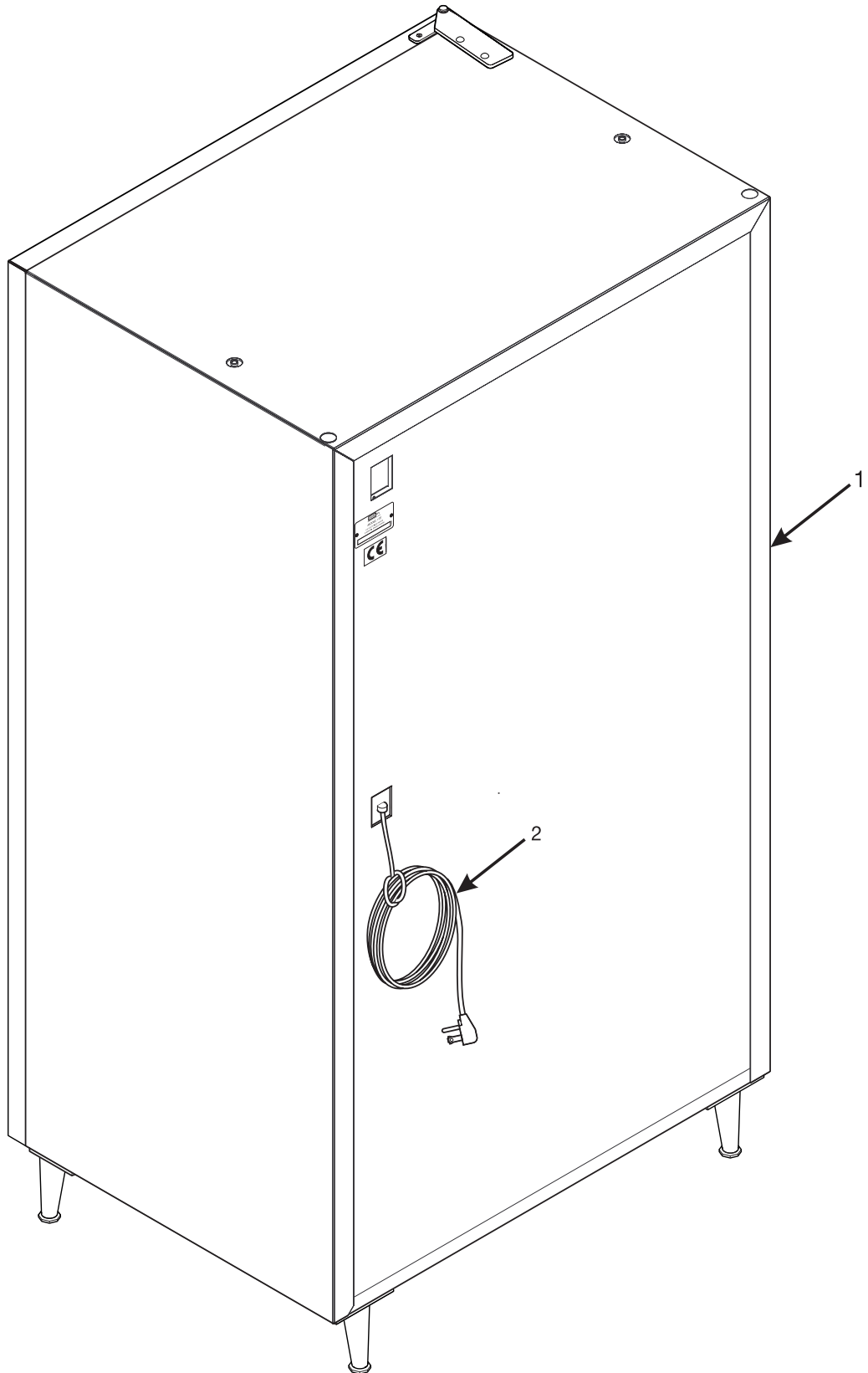
170P0036

Figure 19. Power Panel

Snackvendor Models 170 - 171 Parts Manual

TABLE 19. POWER PANEL

INDEX	PART NUMBER	DESCRIPTION	QTY.
-	1701015	POWER PANEL ASSEMBLY - DOMESTIC	-
1	9989100	INTERFERENCE FILTER	1
2	9900081	NUT - #8-32 KEPS ZINC PLATE	6
3	9984629	SWITCH - TOGGLE - DPST - 20 AMP	1
4	9989672	BREAKER - 15 AMP	1
5	9989046	24 V TRANSFORMER - DUAL PRI. - .187 TERM	1
6	9989674	CIRCUIT BREAKER - 4 AMP	1
7	1211110	8-32 X 1/4 RHS MACH SCREW - Z.P.	6
8	1701025	PLATE - HOUSING - PANEL	1
-	6849015	JUMPER - POWER SWITCH (MEXICO) (NOT SHOWN)	1
-	9989110	FILTER - POWER LINE - EMI (MEXICO) (NOT SHOWN)	1



BACK OF CABINET SHOWN

170P0023

Figure 20. Power Cord

Snackvendor Models 170 - 171 Parts Manual

TABLE 20. POWER CORD

INDEX	PART NUMBER	DESCRIPTION	QTY.
1	1701018	CABINET ASSEMBLY - N.V. BLACK (170)	1
	1711012	CABINET ASSEMBLY - N.V. BLACK (171)	
2	9985043	CORD SET - POLARIZED - GROUNDED	1

Snackvendor Models 170 - 171 Parts Manual

TABLE 21. ACCESSORIES (BASE PLATE ASSEMBLY)

INDEX	PART NUMBER	DESCRIPTION	QTY.
-	1571085	BASE PLATE AND ACCESSORY ASSEMBLY (170)	1
	1580893	BASE PLATE ASSEMBLY (171)	
1	1411194	SLIDE - BASE PLATE R.H.	1
2	9900098	COTTER PIN - 3/32 X 3/4 IN.	2
3	2271408	BASE PLATE ASSEMBLY - HINGED (170)	1
	1581023	BASE PLATE ASSEMBLY	
4	1411195	SLIDE - BASE PLATE L.H.	1
5	6231087	BRACKET - BASE PLATE	2

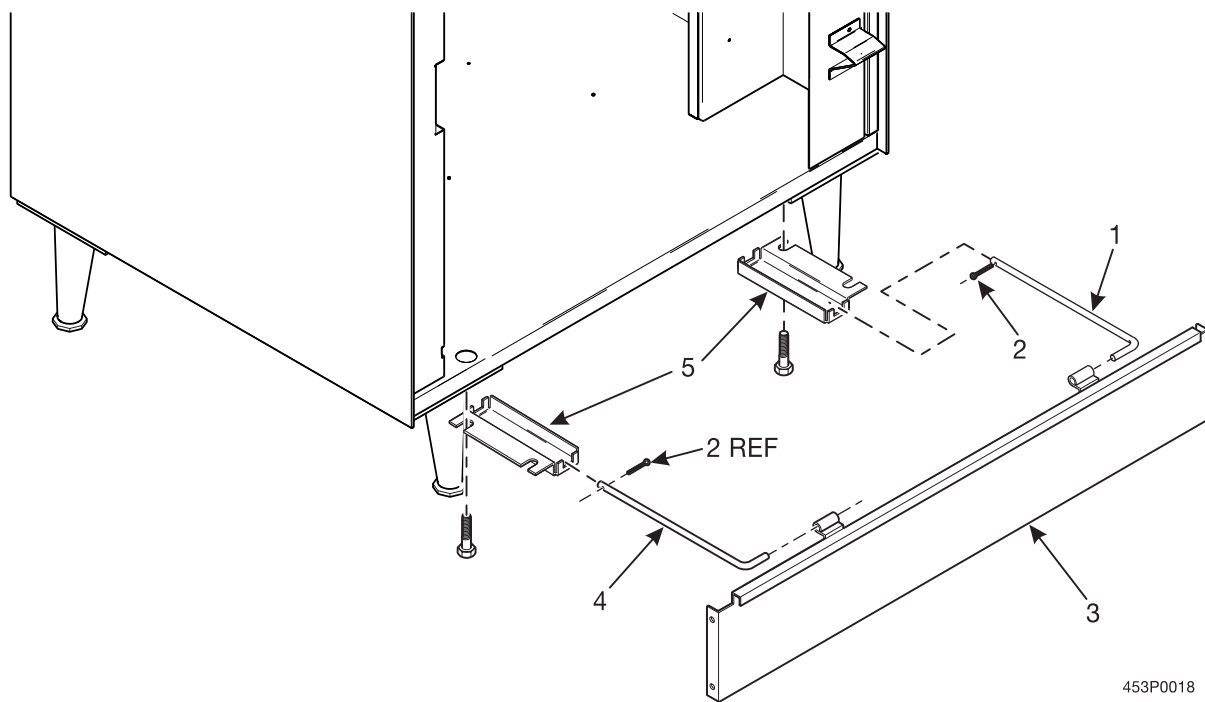


Figure 21. Accessories (Base Plate Assembly)

Snackvender Models 170 - 171 Parts Manual

TABLE 22. ACCESSORIES (DOOR LOCK GUARD)

INDEX	PART NUMBER	DESCRIPTION	QTY.
-	1570763	DOOR LOCK GUARD	-
1	2222031	TEE BOLT - TRIM	4
2	9900081	NUT - #8-32 KEPS ZINC PLATE	4

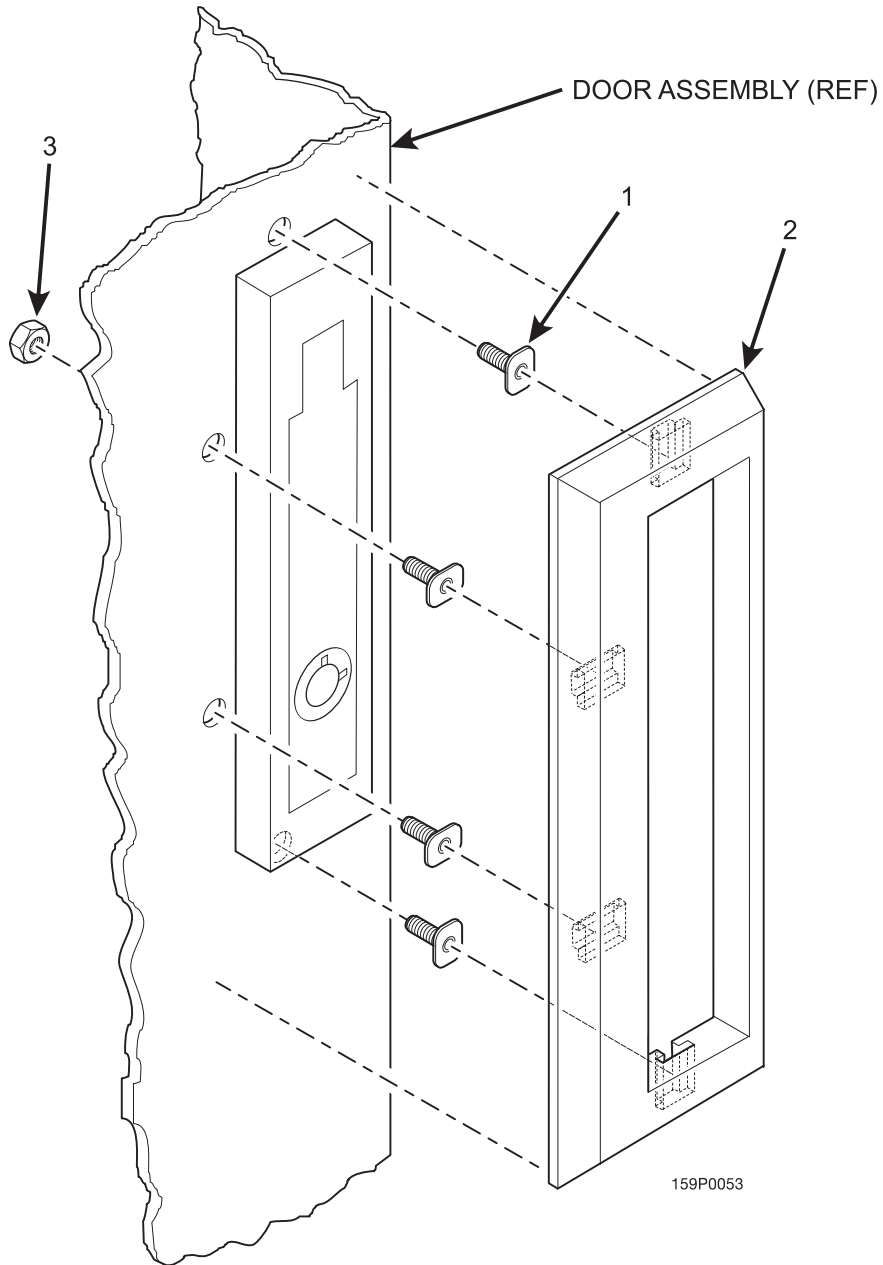
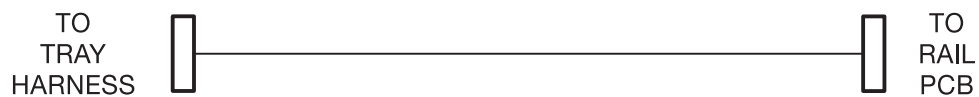


Figure 22. Accessories (Door Lock Guard)

**1709017
TRAY EXTENSION HARNESS**

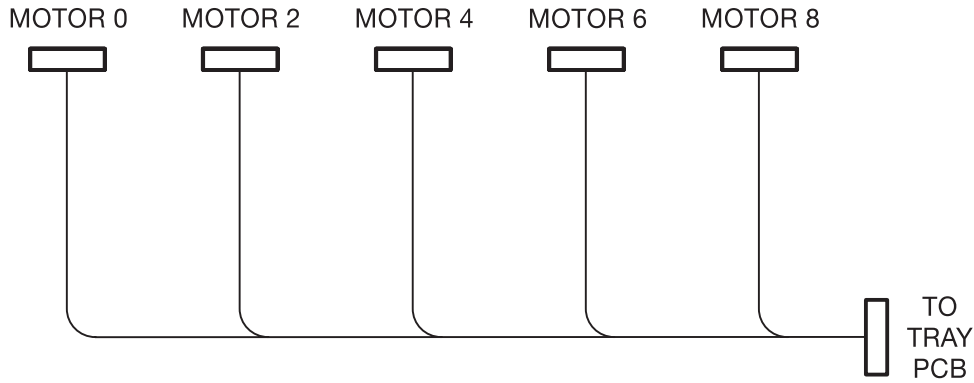


DEX PRINTER INTERFACE HARNESS

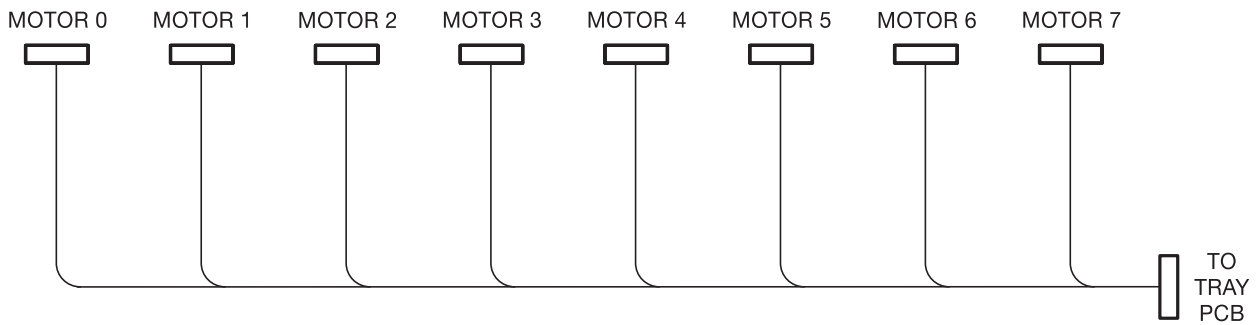


Figure 23. Accessories (Tray Extension Harness)

1709012
5 MOTOR TRAY HARNESS



1709013
8 MOTOR TRAY HARNESS



1709014
10 MOTOR TRAY HARNESS

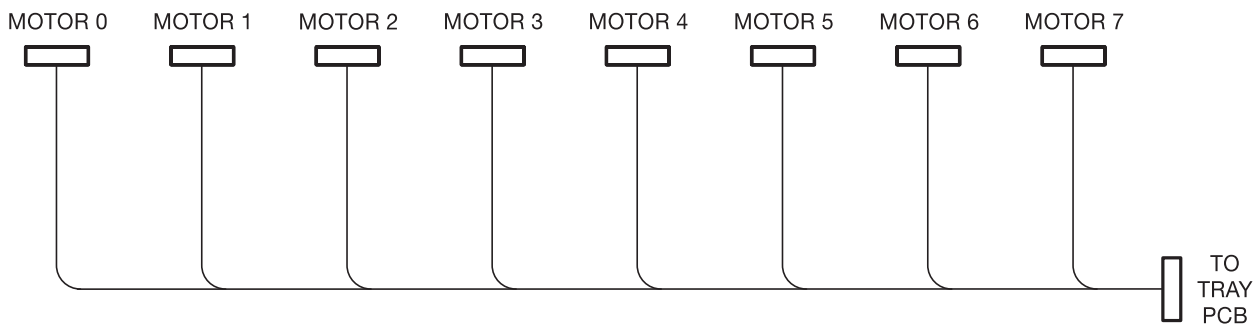
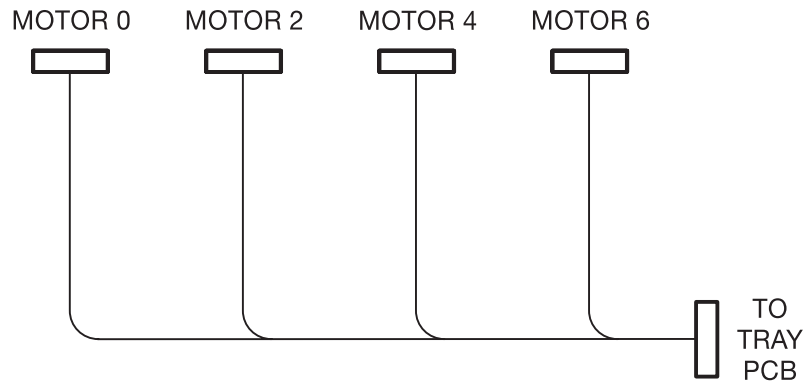


Figure 24. Accessories (DEX Printer Interface Harness)

1709011
4 MOTOR TRAY HARNESS



4279013
24 VOLT DUMB COIN MECH HARNESS



1709003
24 VOLT PCB POWER HARNESS

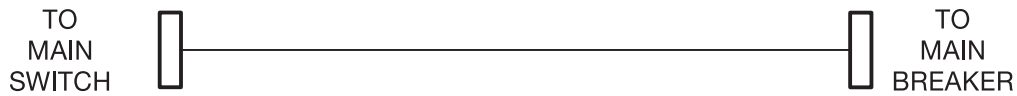


Figure 25. Wiring Harnesses (Part 1 of 6)

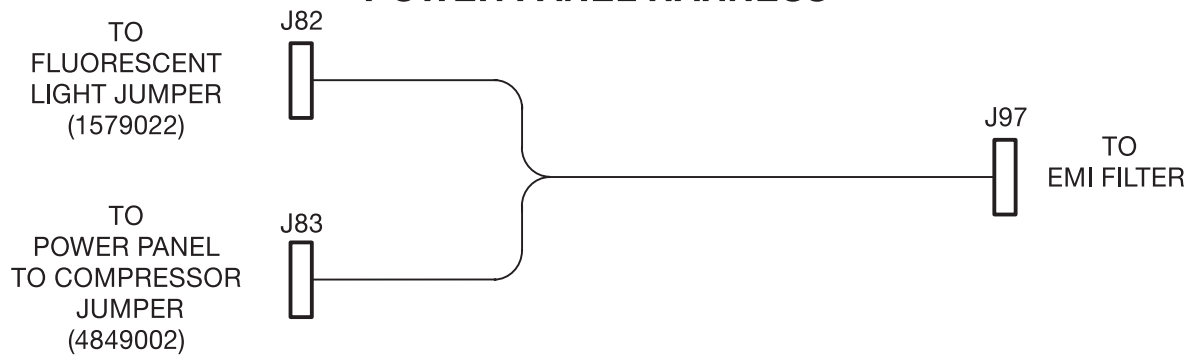
**9989706
MDB HARNESS**



**1709006
MAIN SWITCH TO BREAKER JUMPER**



**1709000
POWER PANEL HARNESS**



**1579022
POWER PANEL TO FLUORESCENT LIGHT JUMPER**



Figure 25. Wiring Harnesses (Part 2 of 6)

1709001
120V XFMR PRIMARY JUMPER

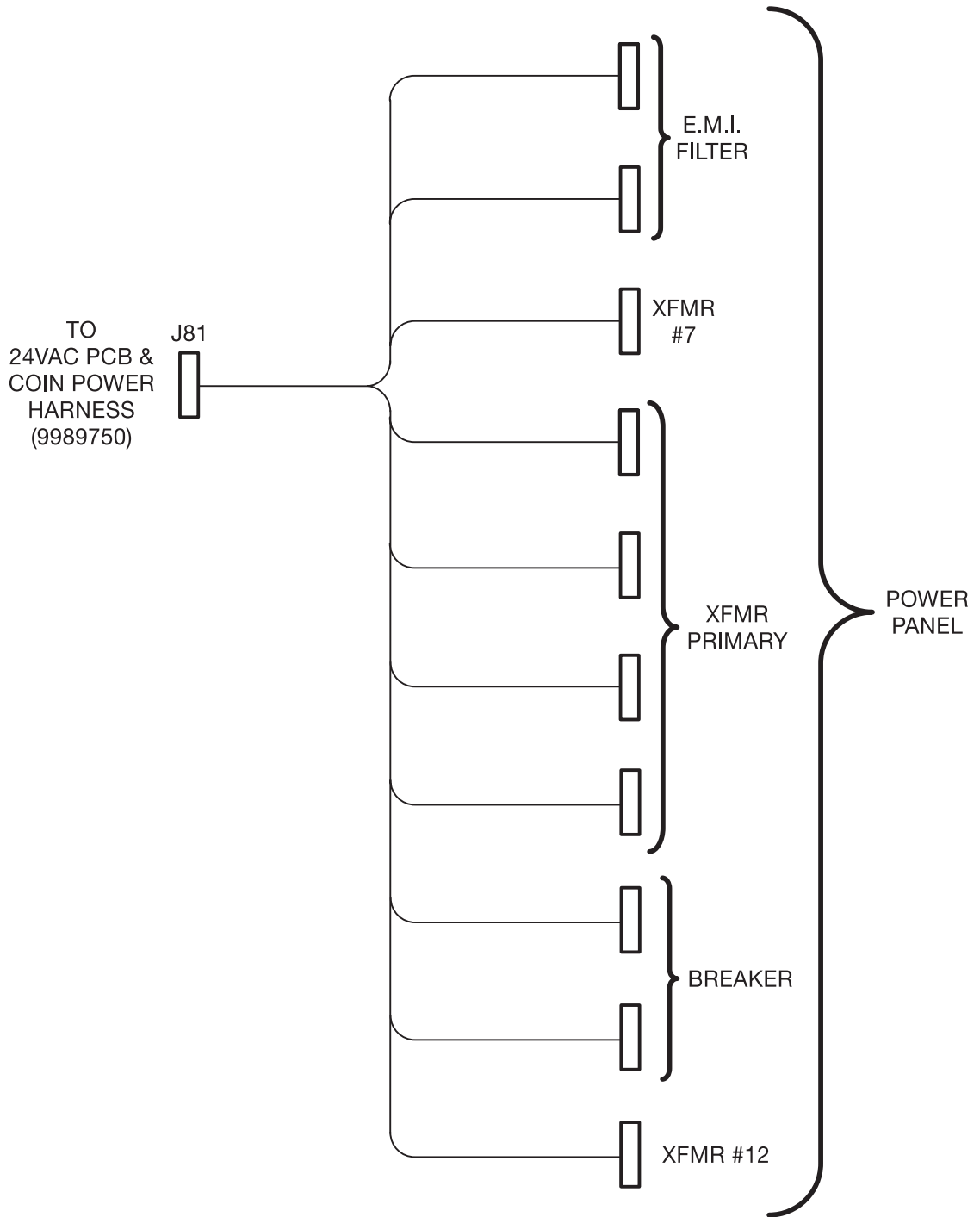


Figure 25. Wiring Harnesses (Part 3 of 6)

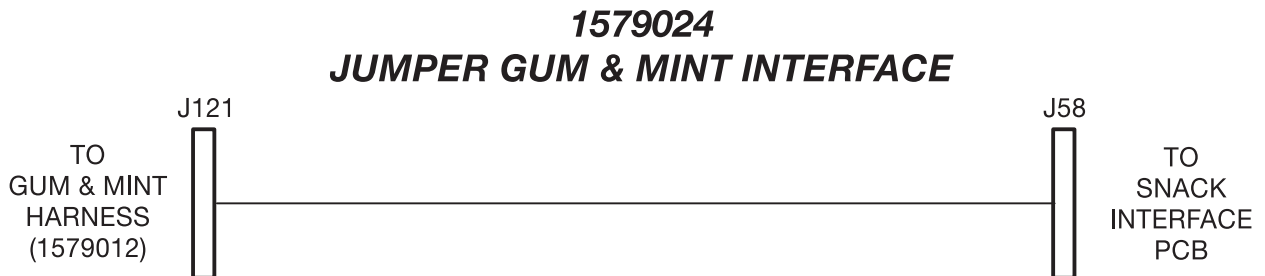
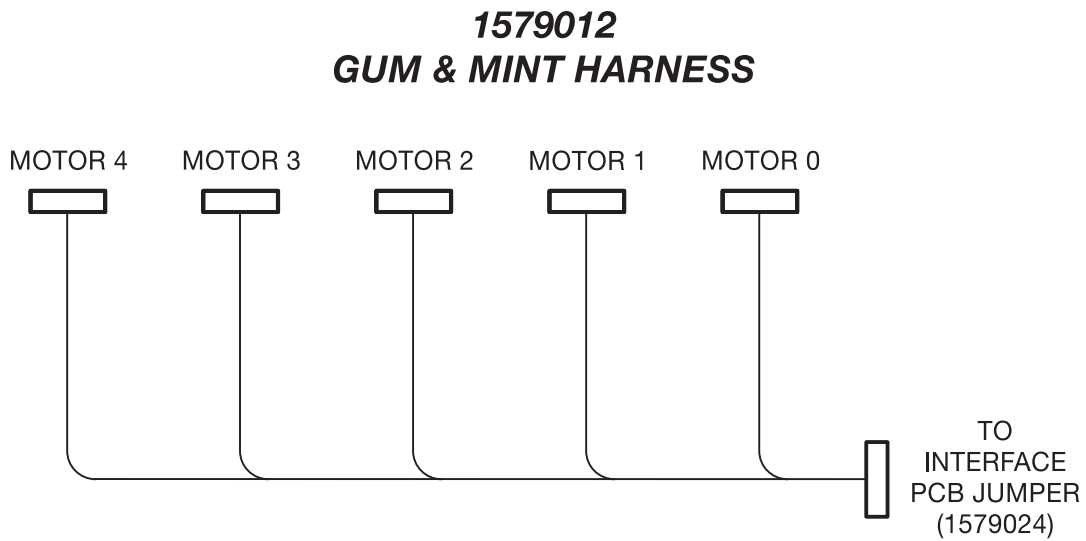
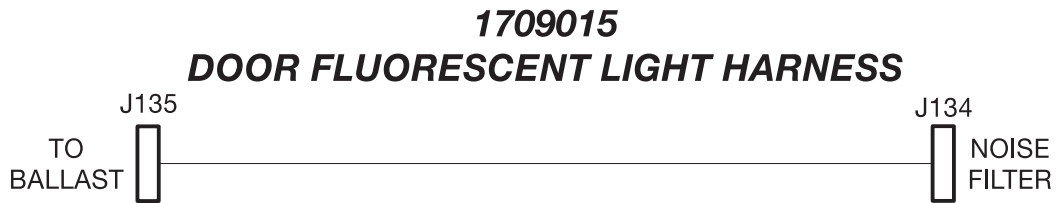


Figure 25. Wiring Harnesses (Part 4 of 6)

1599009
6 TRAY CHANNEL HARNESS

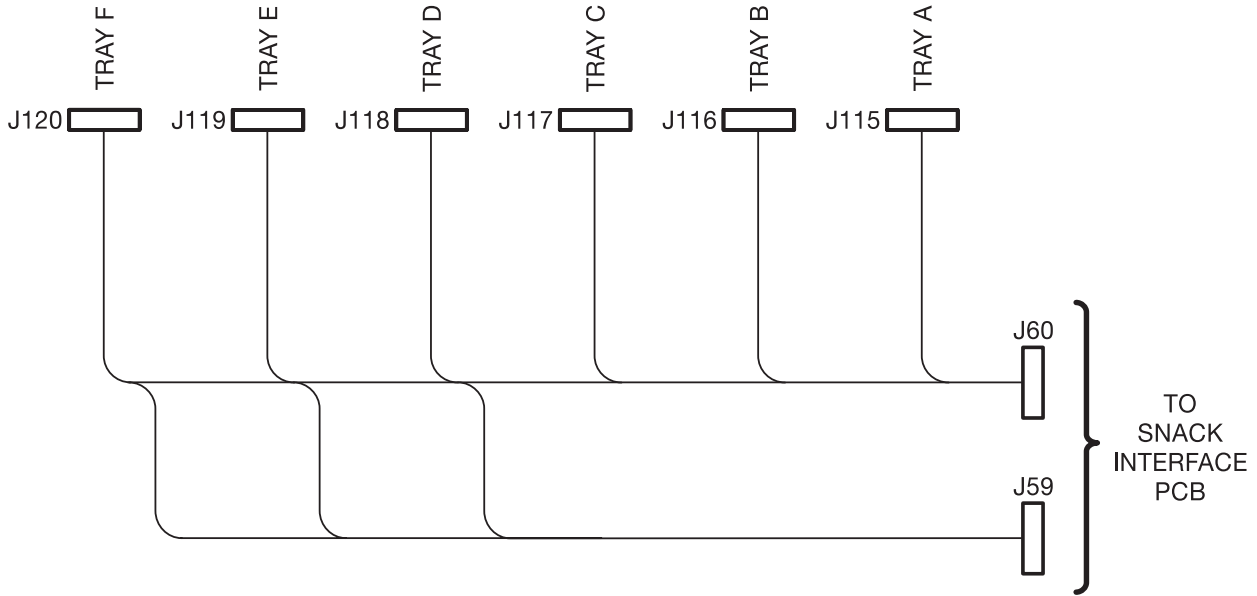


Figure 25. Wiring Harnesses (Part 5 of 6)

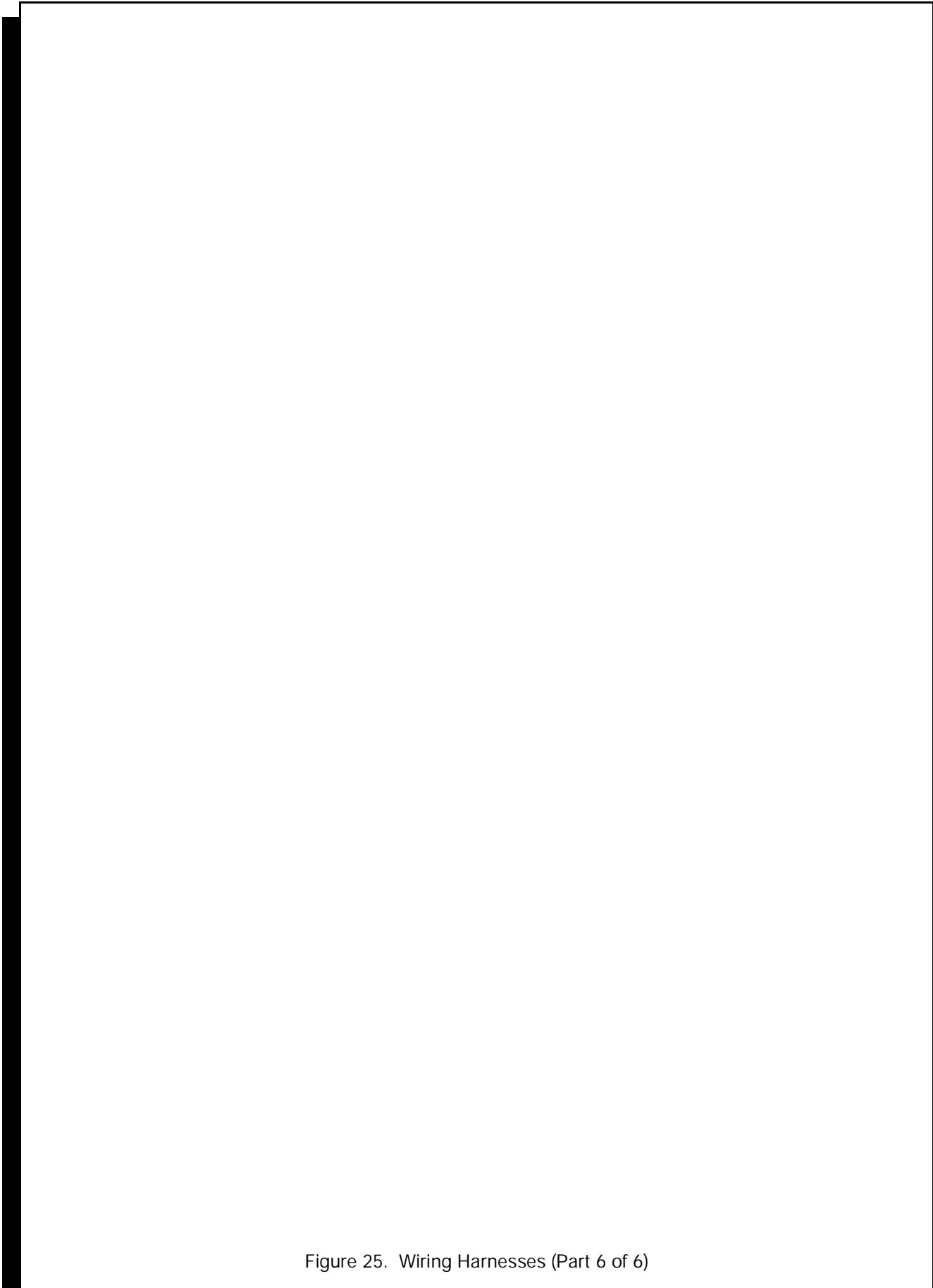


Figure 25. Wiring Harnesses (Part 6 of 6)

PART NUMBER INDEX

PART NUMBER	PAGE	PART NUMBER.....	PAGE
1122138	15	1472142	17
1127808	43	1472145	19
1142017	13	1472156	19
1172115	15	1472178	7
1172191	5	1472200	19
1211105	11, 13	1472219	19
1211110	51	1472223	41
1211112	39	1472228	19
1217161	5	1472251	47
1302289	5	1472271	19
1302290	5	1472272	19
1302291	5	1472288	19
1302324	5	1472802	21
1302326	5	1475026	43
1407048	21	1475072	43
1411194	54	1475089	47
1411195	54	1477097	33, 35
1412022	19	1477107	36
1412023	19	1477113	33, 35
1412028	19	1477148	33, 35
1412046	23	1477155	36
1412047	19	1479052	21
1437204	23, 41	1479062	23
1451041	13	1479063	23
1451093	39	1479064	23
1451097	9, 23	1479073	23
1451124	15	1479076	23
1452059	9	1479077	23
1452076	15	1479078	25
1452139	15, 21	1479079	25
1457027	23	1479080	25
1457061	36	1479081	25
1457062	36	1479082	25
1457063	36	1479083	25
1462035	19	1479084	25
1462073	19	1479089	23
1471090	27, 29	1479092	23
1471098	39	1479095	23
1471237	39	1479097	25
1471283	39	1479098	25
1472048	9	1479099	25
1472068	19	1479101	23
1472069	19	1479102	23
1472083	19	1479103	23
1472087	19	1479104	23
1472088	19	1479105	25
1472105	19	1479106	25
1472108	19	1479117	23
1472132	13	1479119	23
1472137	19	1479120	23
1472138	19	1479123	23

Snackvendor Models 170 - 171 Parts Manual

PART NUMBER.....	PAGE	PART NUMBER.....	PAGE
1479124	23	1572028	9
1479127	21	1572029	19
1479130	21	1572039	15
1479136	21, 23	1572040	23
1479139	23	1572043	17
1479140	9	1575003	43
1479145	23	1575009	47
1482002	19	1575013	41
1482159	19, 21	1575035	41
1482163	19	1575047	7
1482171	19	1575048	43, 45
1482187	19	1575068	41, 43
1482251	19	1577000	21, 23
1482252	19	1577035	23, 33, 35
1489004	21	1579012	61
1489005	23	1579013	58
1489006	21	1579019	56
1489008	21, 23	1579024	61
1570763	55	1579053	23
1570913	45	1580893	54
1570987	45	1581023	54
1570988	45	1581039	31
1570989	45	1582005	15
1570990	45	1582024	19
1570991	45	1582025	15
1570992	45	1582075	9
1570993	45	1587000	21, 23
1570994	45	1590022	33, 35
1570995	45	1590025	33, 35
1571022	27	1590818	3
1571029	27	1592070	9
1571037	13	1592072	9
1571074	27	1592073	9
1571078	43	1592074	3
1571085	54	1595002	47
1571091	13	1595013	47
1571097	43	1595016	3, 41, 47
1571098	11	1596012	27, 29
1571113	43	1599009	62
1571115	39	1600817	3
1571123	31	1602014	19
1571127	39	1602034	19
1571154	43	1602038	19
1571175	29	1602039	17
1571193	49	1602052	9
1572007	11, 13	1602054	9
1572009	13	1602055	9
1572010	7	1602056	3
1572011	7	1602057	3
1572020	9	1602059	1
1572027	9	1700004	36

Snackvendor Models 170 - 171 Parts Manual

PART NUMBER	PAGE	PART NUMBER.....	PAGE
1700009	41	1707042	36
1700817	45	1707043	36
1700833	45	1709000	59
1700834	45	1709001	60
1700835	45	1709003	58
1700838	3	1709006	59
1701006	27	1709011	35, 58
1701008	29	1709012	35, 57
1701009	27	1709013	33, 57
1701014	43	1709014	33, 57
1701015	49, 51	1709015	15, 61
1701016	43	1709017	56
1701017	43	1710838	3
1701018	1, 53	1711012	53
1701025	51	1711712	1
1701026	31	1712001	3
1702000	1	1717001	33, 35
1702001	3	1717002	33, 35
1702002	3	1717003	35
1702007	3	1717004	33
1707001	33, 35	2220493	43
1707002	33, 35	2222031	33, 35, 55
1707003	33, 35	2222095	15
1707005	36	2222124	9
1707006	36	2228011	43
1707007	36	2271408	54
1707008	36	2272052	5
1707009	36	2302053	7, 41
1707010	36	2302218	15
1707011	36	2342109	19
1707012	36	2342110	19
1707014	36	2351017	31
1707015	36	2470710	45
1707016	36	2570810	45
1707017	36	2570811	45
1707018	36	2570812	45
1707019	36	2570814	45
1707024	36	2570815	45
1707025	36	3107171	15
1707026	36	3108030	21
1707027	36	3112163	5
1707028	36	3112164	5
1707029	36	3122056	23, 43
1707030	33	3151058	15
1707032	33, 35	3502097	33
1707035	33	4041053	23
1707037	35	4042556	19
1707038	36	4242145	11
1707039	36	4245082	7
1707040	36	4245083	7
1707041	36	4245084	7

Snackvendor Models 170 - 171 Parts Manual

PART NUMBER	PAGE	PART NUMBER	PAGE
4246044	19	6232208	11
4246307	23	6400804	45
4270851	45	6400805	45
4272003	41	9900020	25
4276000	43	9900030	33, 35
4402016	19	9900081	23, 51, 55
4402017	19	9900098	54
5560113	33, 35	9900121	5
6106021	49	9900201	23
6131143	23	9900425	23
6152188	15	9984629	51
6231037	43	9984630	47
6231087	54	9985043	53
6231163	39	9989046	51
6231203	39	9989100	51
6231242	27	9989672	51
6232028	11	9989674	51
6232031	11	9989706	59
6232036	11	9992400	5